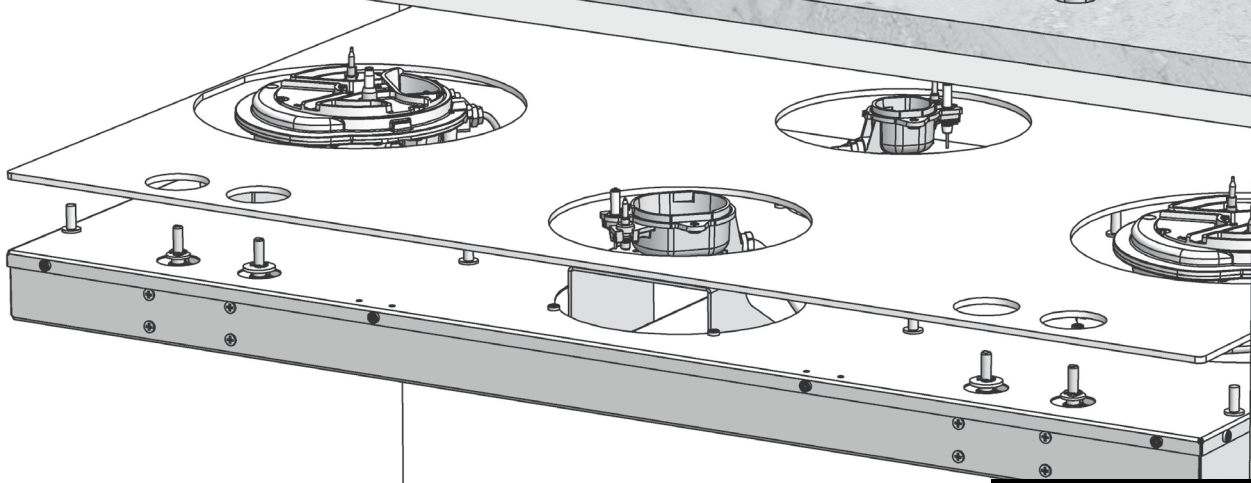
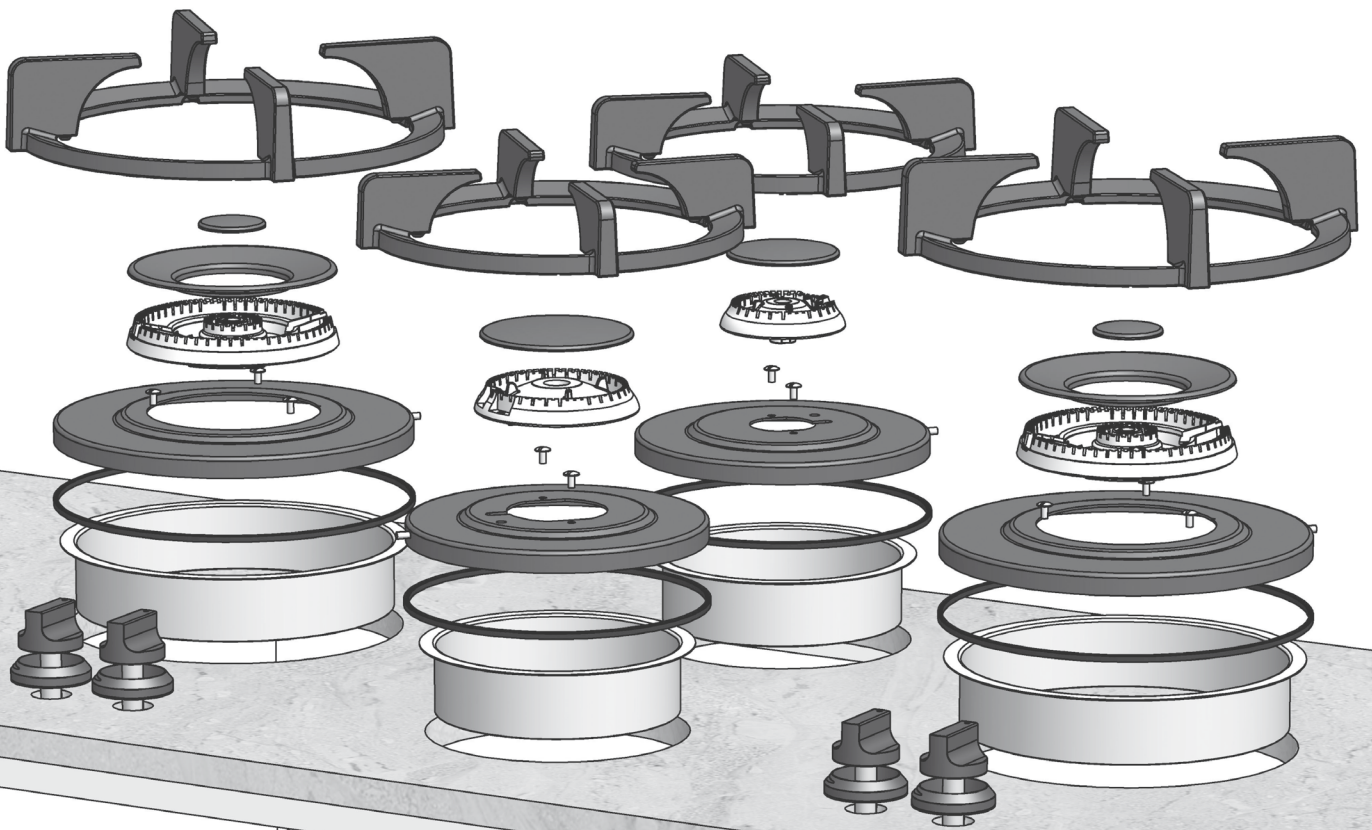


PITT

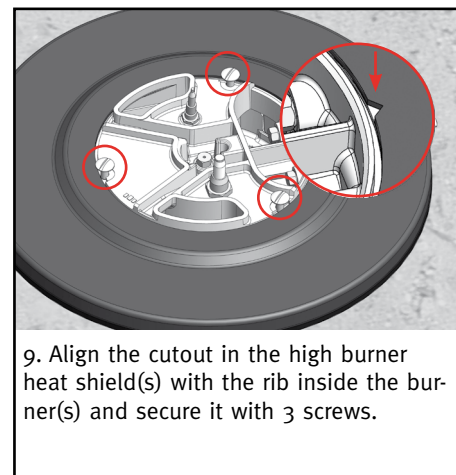
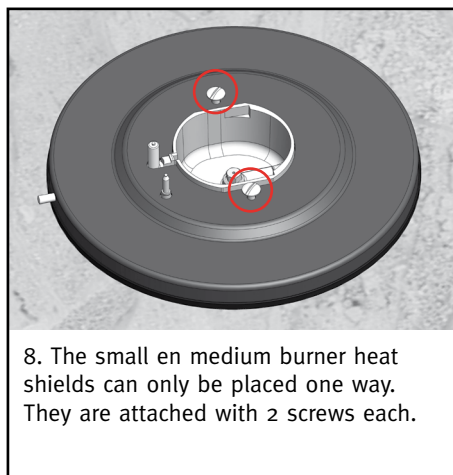
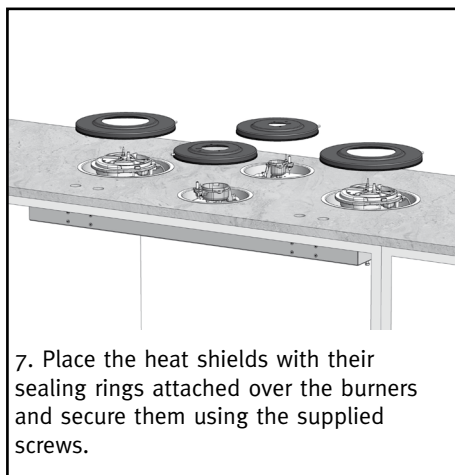
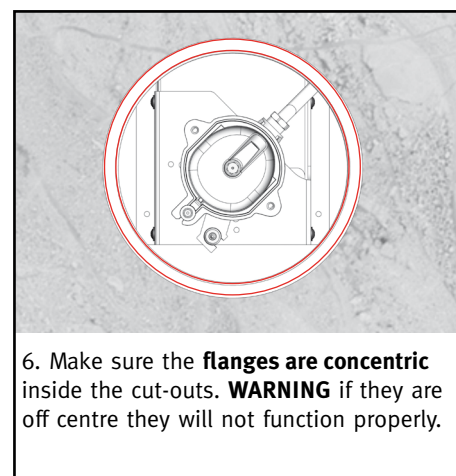
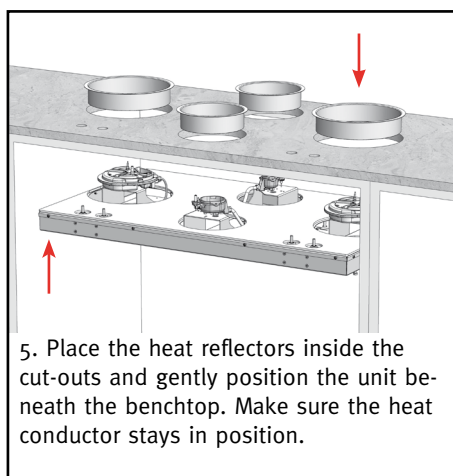
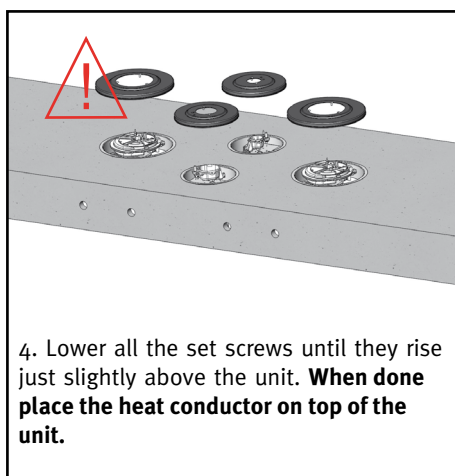
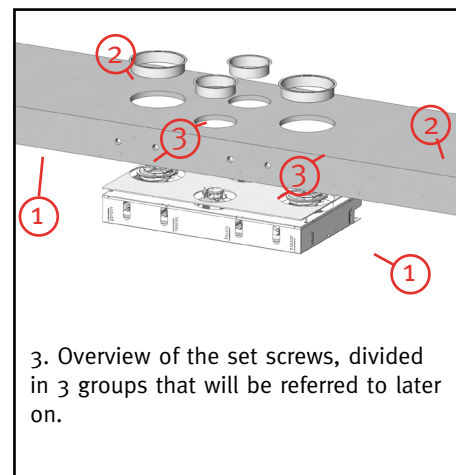
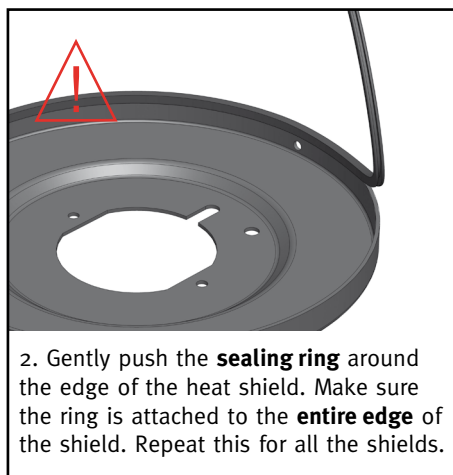
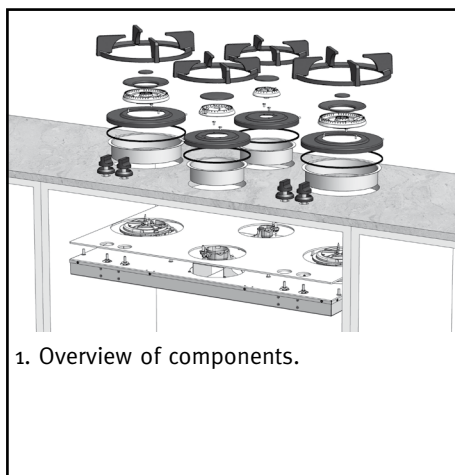
COOKING



AU *Installation instructions*

**Gas
Top Side**

Installation instructions Top Side



Important!

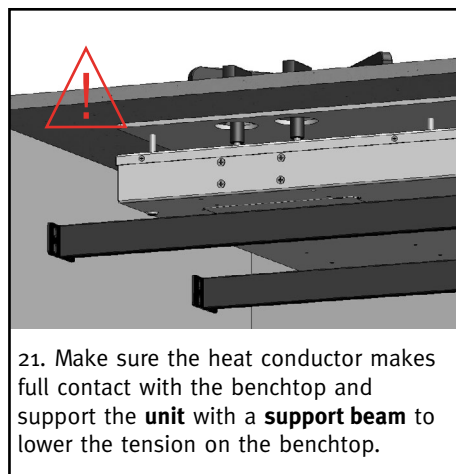
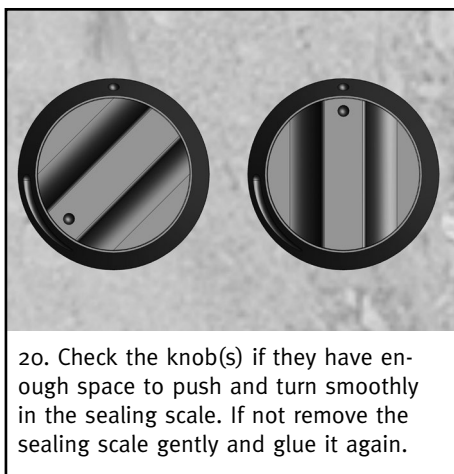
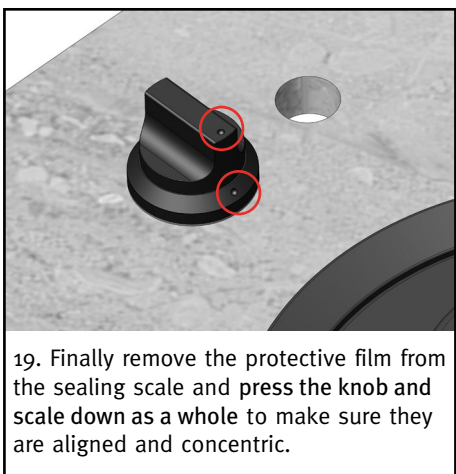
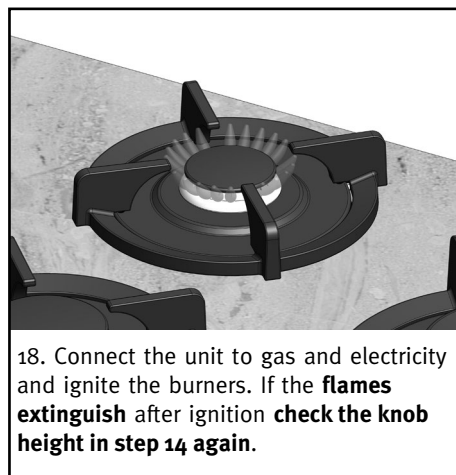
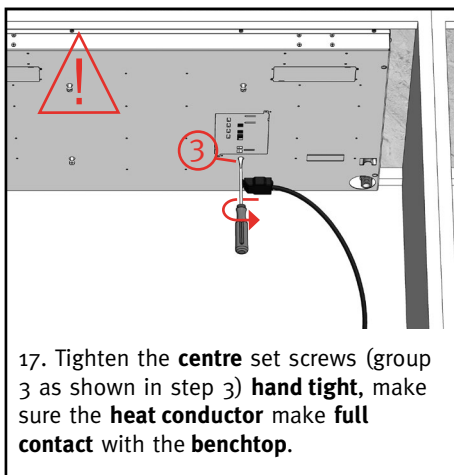
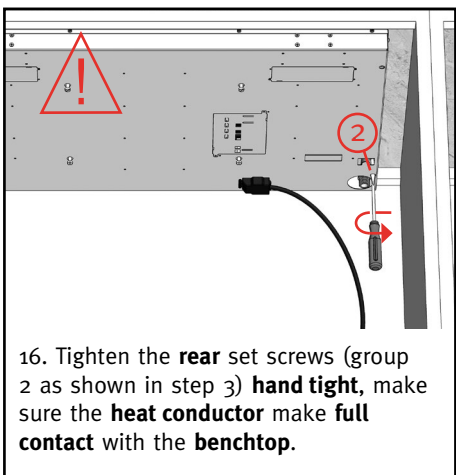
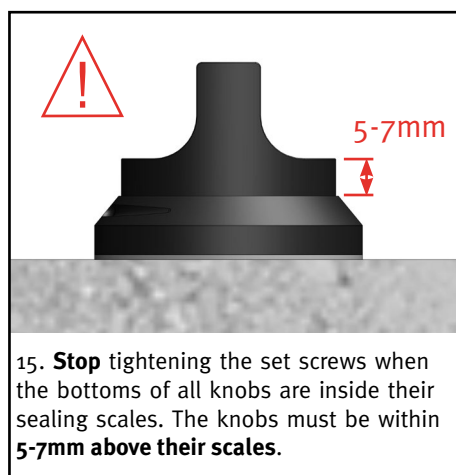
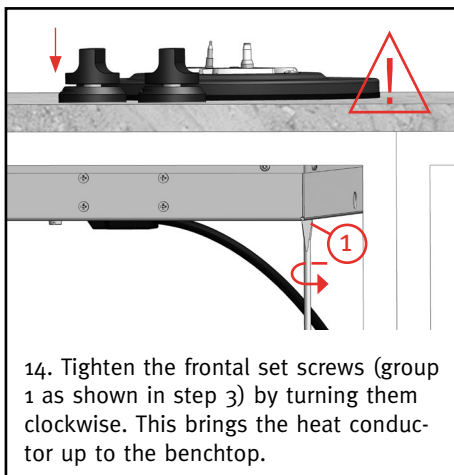
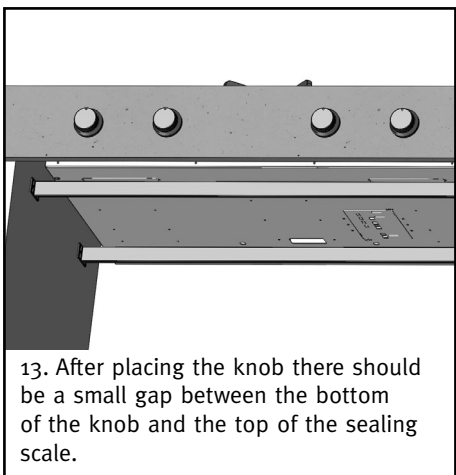
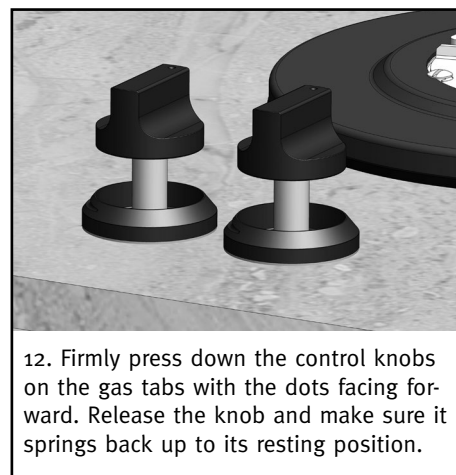
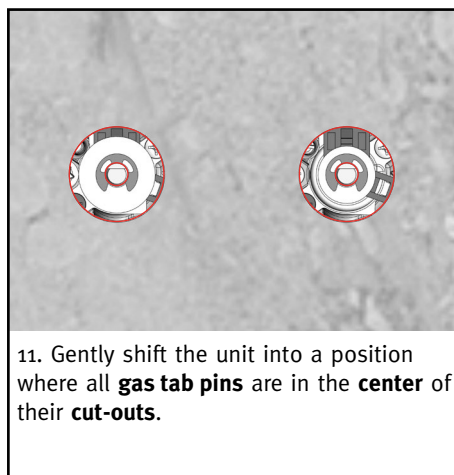


The documents 'Installation instructions', 'User manual' and 'Benchtop and cabinet procedures and guidelines for PITT Cooking' should all be taken in account for correct installation.

For **warranty** and the **proper functioning** of the cooking unit ensure the mounting is as described in this manual and the others to the letter.

For more information visit: www.pittcooking.info/partition

Installation instructions Top Side



Instructions for installation of support set

Contents of package:

2x support beams



4x inserts

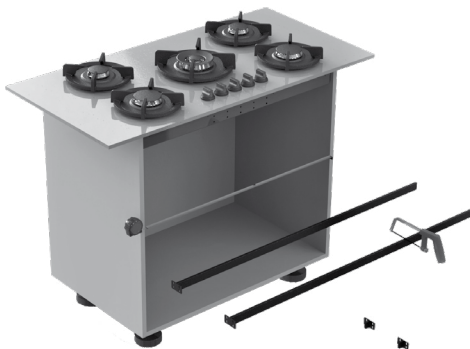


16x cross-point screws 4,2x16 mm

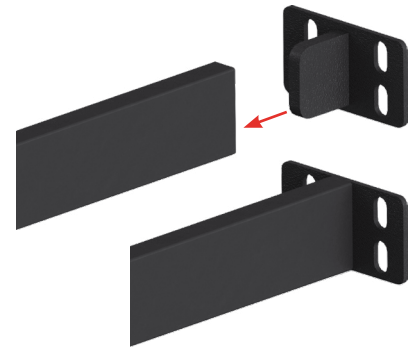


Tools needed:

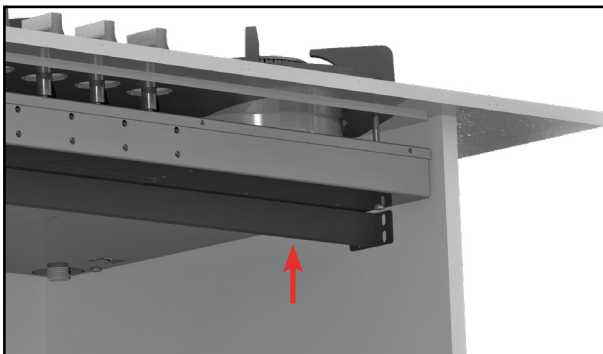
- Measuring tape
- Cross-point screwdriver
- Metallic saw



1. Determine the dimensions of the cabinet and cut the support beams with the saw. **ATTENTION!** Correct length of the beam = the dimension of cabinet on the inside - 4 mm.

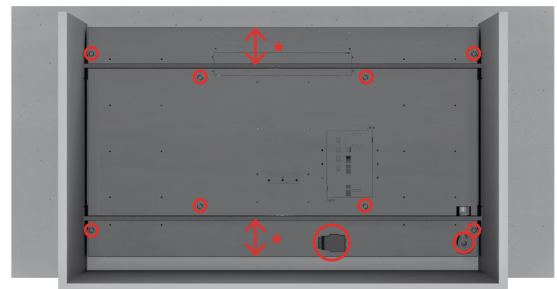


2. Place the inserts into the ends of the beams that have been cut to size.

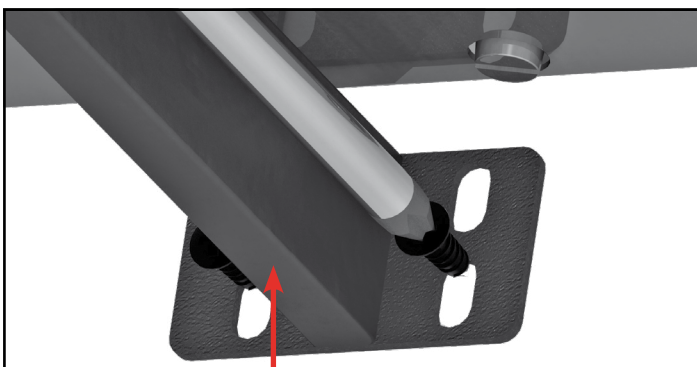


3. Place the beams between the cabinet and position it against the under side of the PITT Cooking unit. **ATTENTION: FOR THE POSITIONING, SEE STEP 4.**

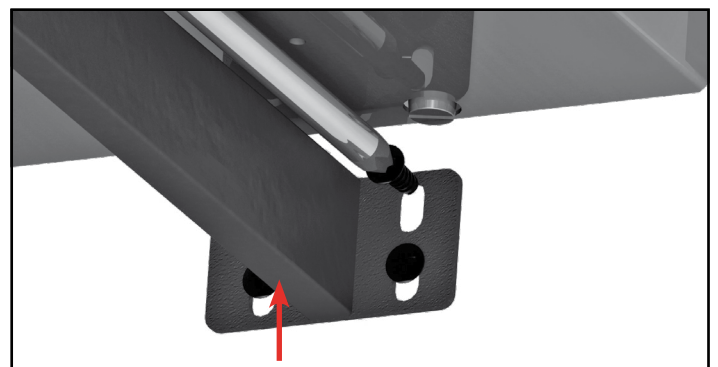
* Minimum distance of 80 mm



4. Position the beams in such a way that the screws, gas connection and the electricity block are freely accessible.



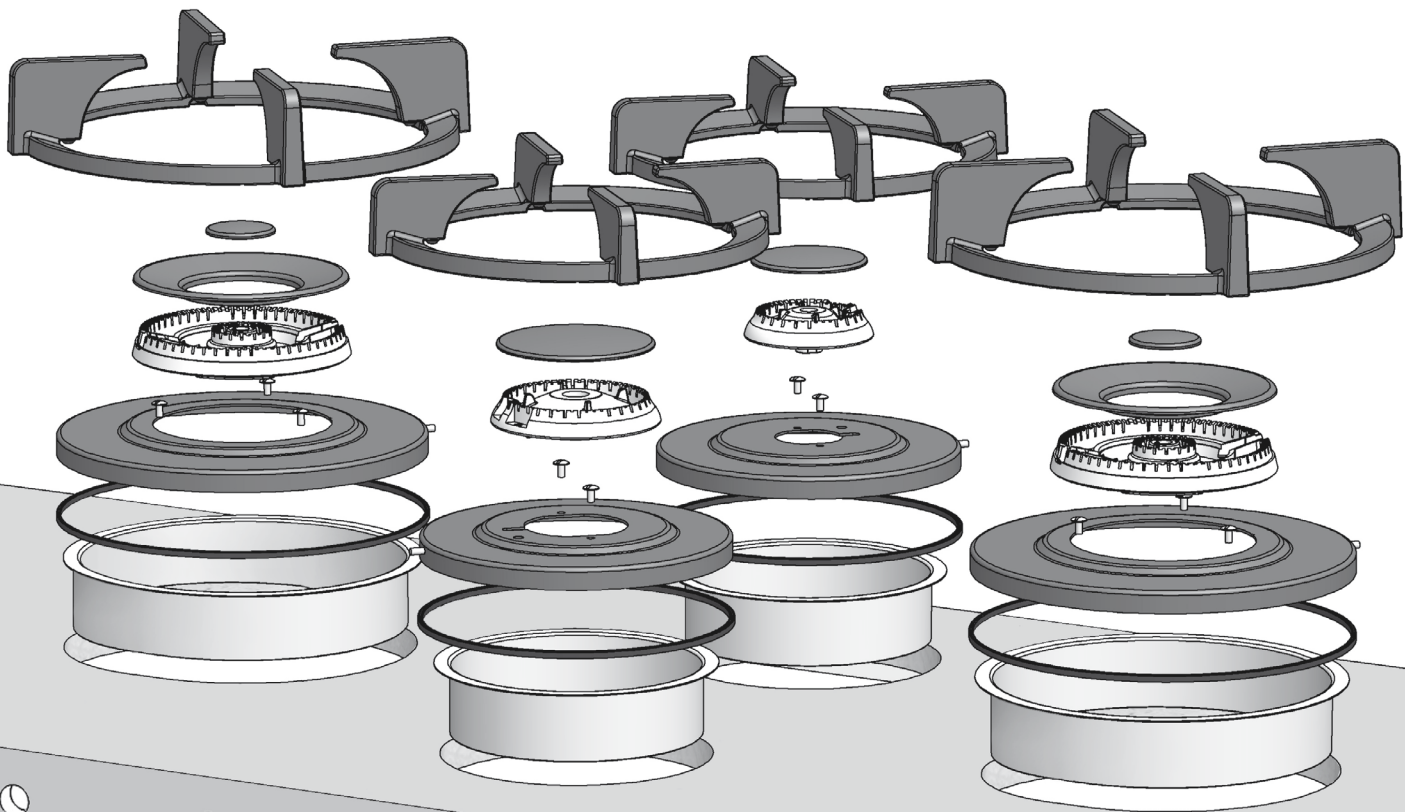
5. Push the beams firmly against the underside of the PITT Cooking unit and tighten the lower two screws by hand. Repeat this step for the other side of the cabinet.



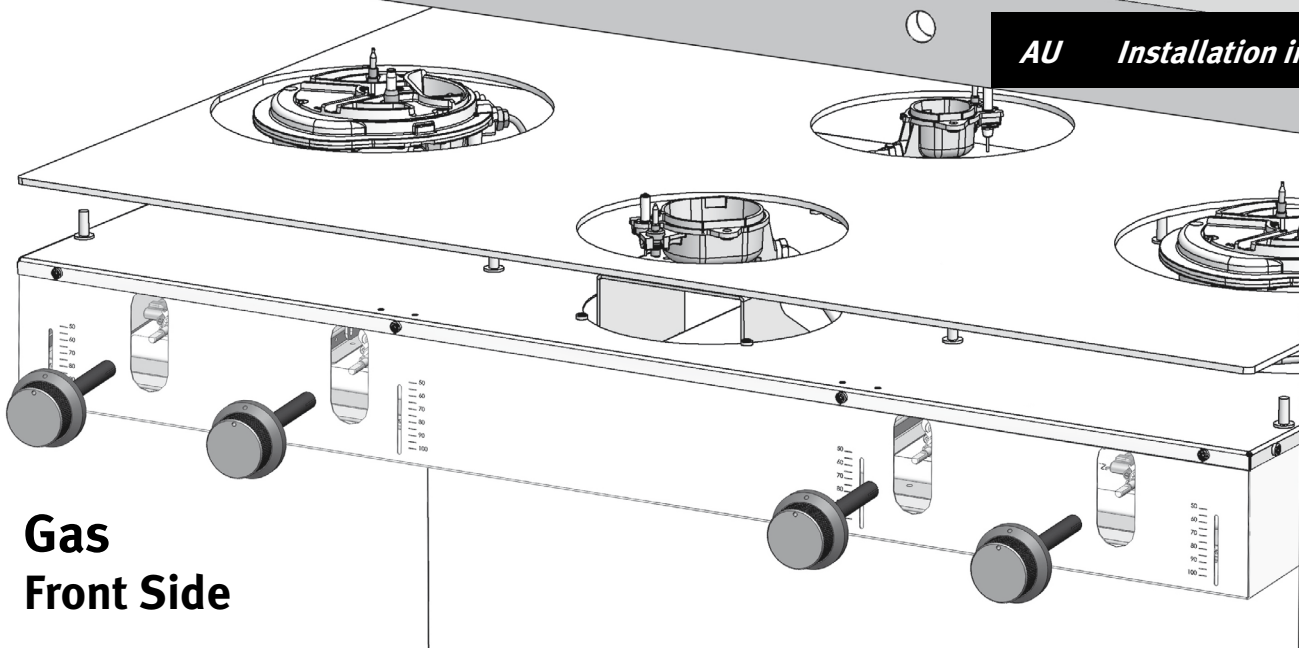
6. Push the beams firmly against the underside of the PITT Cooking unit and tighten the upper two screws completely. Then, tighten the lower screws completely.

PITT

COOKING

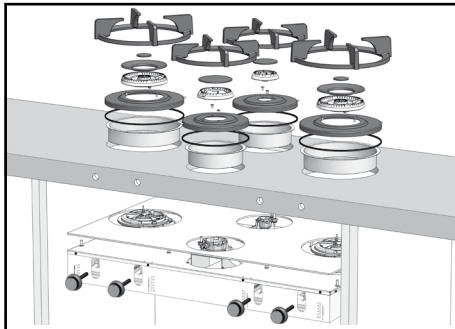


AU *Installation instructions*

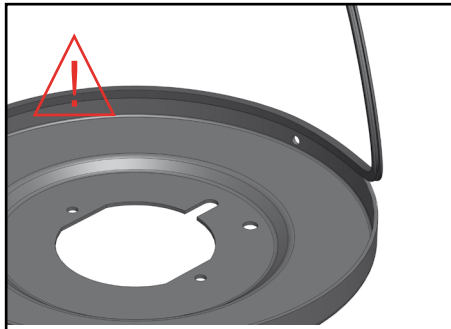


**Gas
Front Side**

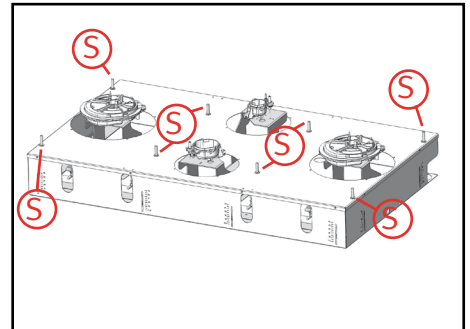
Installation instructions Front Side



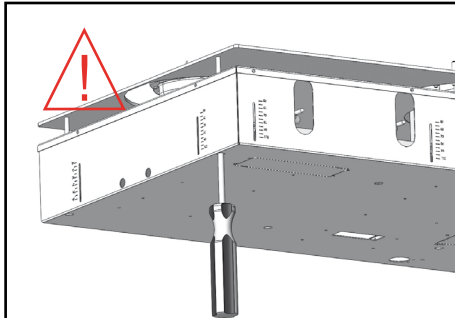
1. Overview of components.



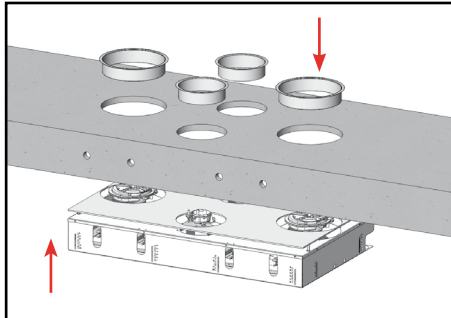
2. Gently push the **sealing ring** around the edge of the heat shield. Make sure the ring is attached to the **entire edge** of the shield. Repeat this for all the shields.



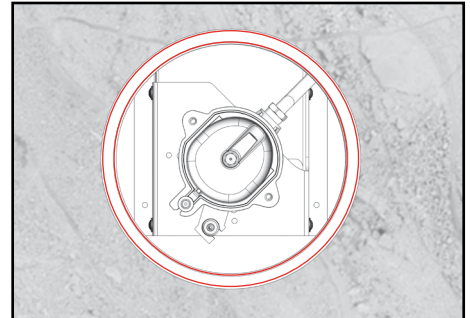
3. Overview of the set screws (S).



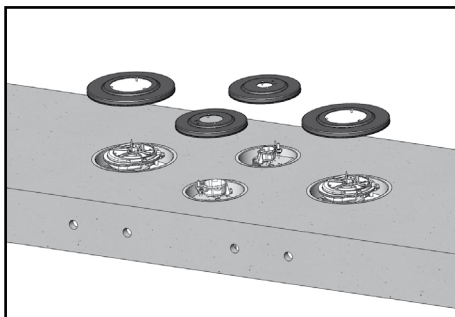
4. Lower all set screws back until they rise just slightly above the unit. **When done place the heat conductor on top of the unit.**



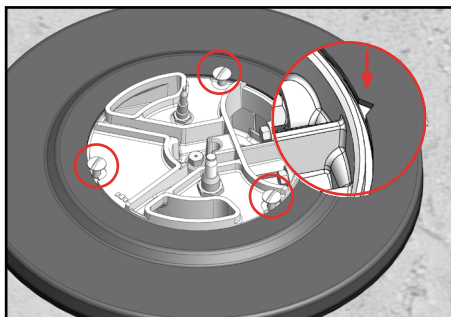
5. Place the heat reflectors in the cut-outs and position the unit beneath the benchtop. Check that the heat conductor stays in position.



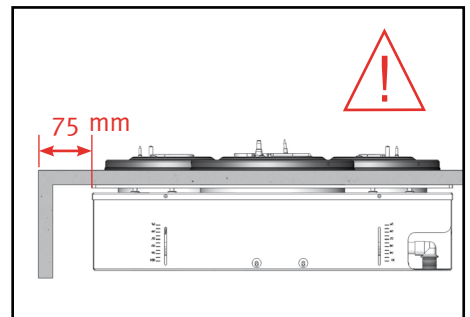
6. Check that the **heat reflectors are concentric** inside the cut-outs. **WARNING** if they are off centre, they will not function properly.



7. Place the heat shields with their sealing rings (step 2) over the burners and secure them using the supplied screws.



8. Align the cut-out in the high burner heat shield(s) with the rib inside the burner(s) and secure it with 3 screws.



9. Measure the distance between the front of the unit and the front frame (or blende). **This distance must be 75mm.**



Important!

The documents 'Installation instructions', 'User manual' and 'Benchtop and cabinet procedures and guidelines for PITT Cooking' should all be taken in account for correct installation.

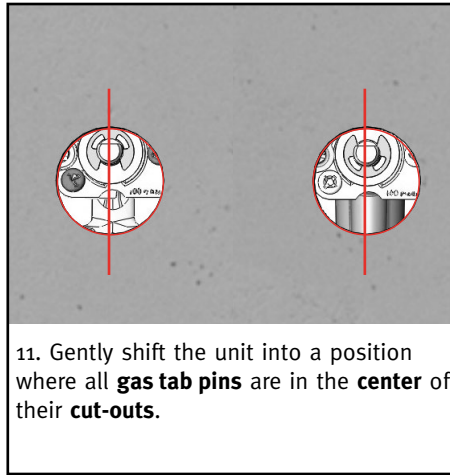
For **warranty** and the **proper functioning** of the cooking unit ensure the mounting is as described in this manual and the others to the letter.

For more information visit: www.pittcooking.info/partition

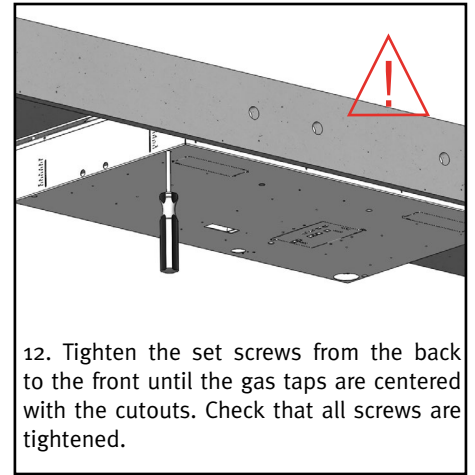
Installation instructions Front Side



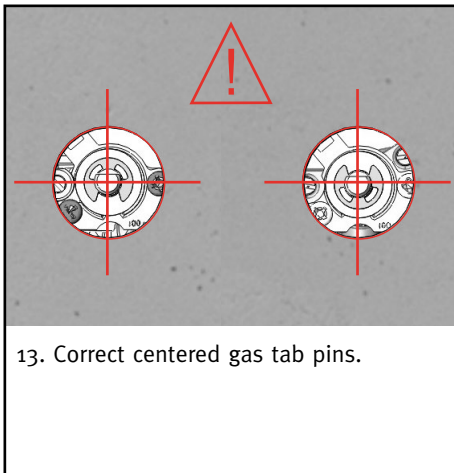
10. Do not **seperate** the **protective film** from the adhesive strip for the next steps!



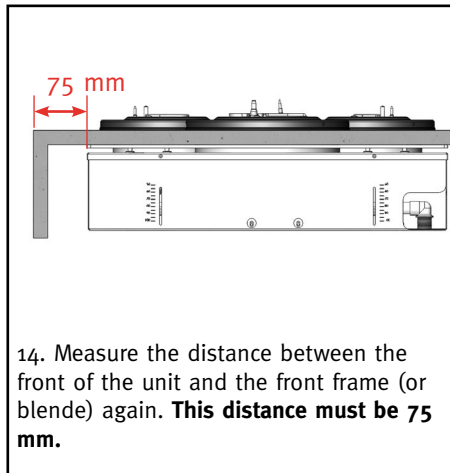
11. Gently shift the unit into a position where all **gas tab pins** are in the **center** of their **cut-outs**.



12. Tighten the set screws from the back to the front until the gas taps are centered with the cutouts. Check that all screws are tightened.



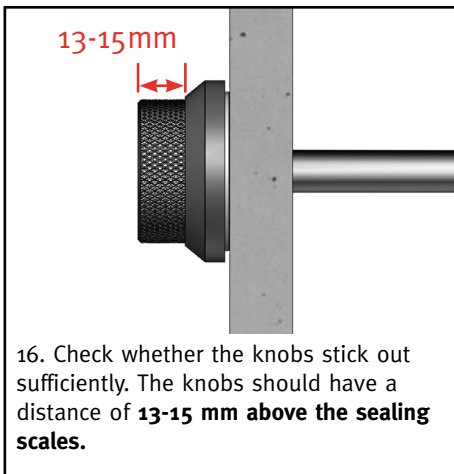
13. Correct centered gas tab pins.



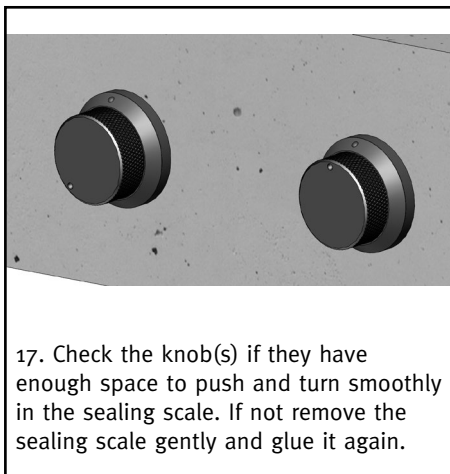
14. Measure the distance between the front of the unit and the front frame (or blende) again. **This distance must be 75 mm.**



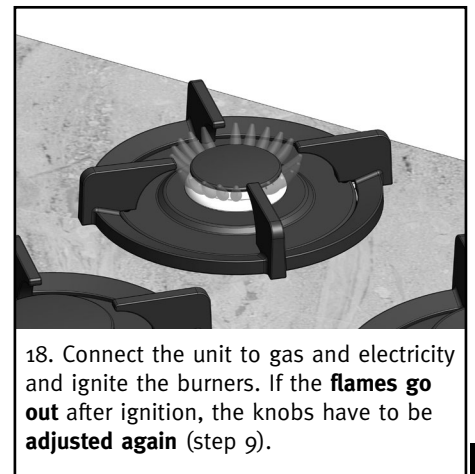
15. Finally remove the protective film from the sealing scale and press the knob and scale down as a whole to make sure they are aligned and concentric.



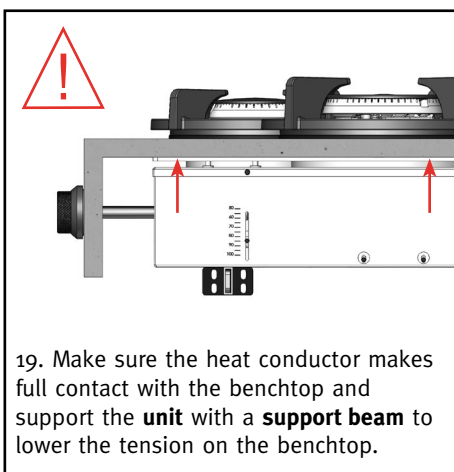
16. Check whether the knobs stick out sufficiently. The knobs should have a distance of **13-15 mm** above the **sealing scales**.



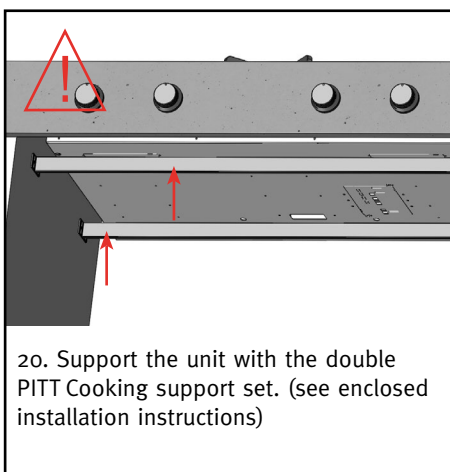
17. Check the knob(s) if they have enough space to push and turn smoothly in the sealing scale. If not remove the sealing scale gently and glue it again.



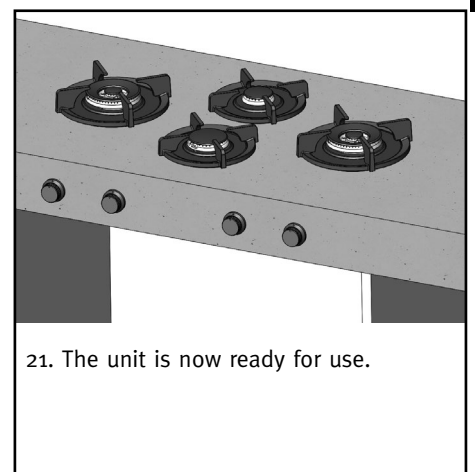
18. Connect the unit to gas and electricity and ignite the burners. If the **flames go out** after ignition, the knobs have to be **adjusted again** (step 9).



19. Make sure the heat conductor makes full contact with the benchtop and support the **unit** with a **support beam** to lower the tension on the benchtop.



20. Support the unit with the double PITT Cooking support set. (see enclosed installation instructions)



21. The unit is now ready for use.



Made in Holland

**Haus Group Australia &
Haus Group New Zealand**

F4/19 Columbia Court,
Dandenong South
VIC 3175

www.pittcooking.com.au

Haus Group Australia

Tel: 03 8593 9600
info@hausgroup.com.au

Haus Group New Zealand

Tel: 09 887 6959
info@hausgroup.co.nz