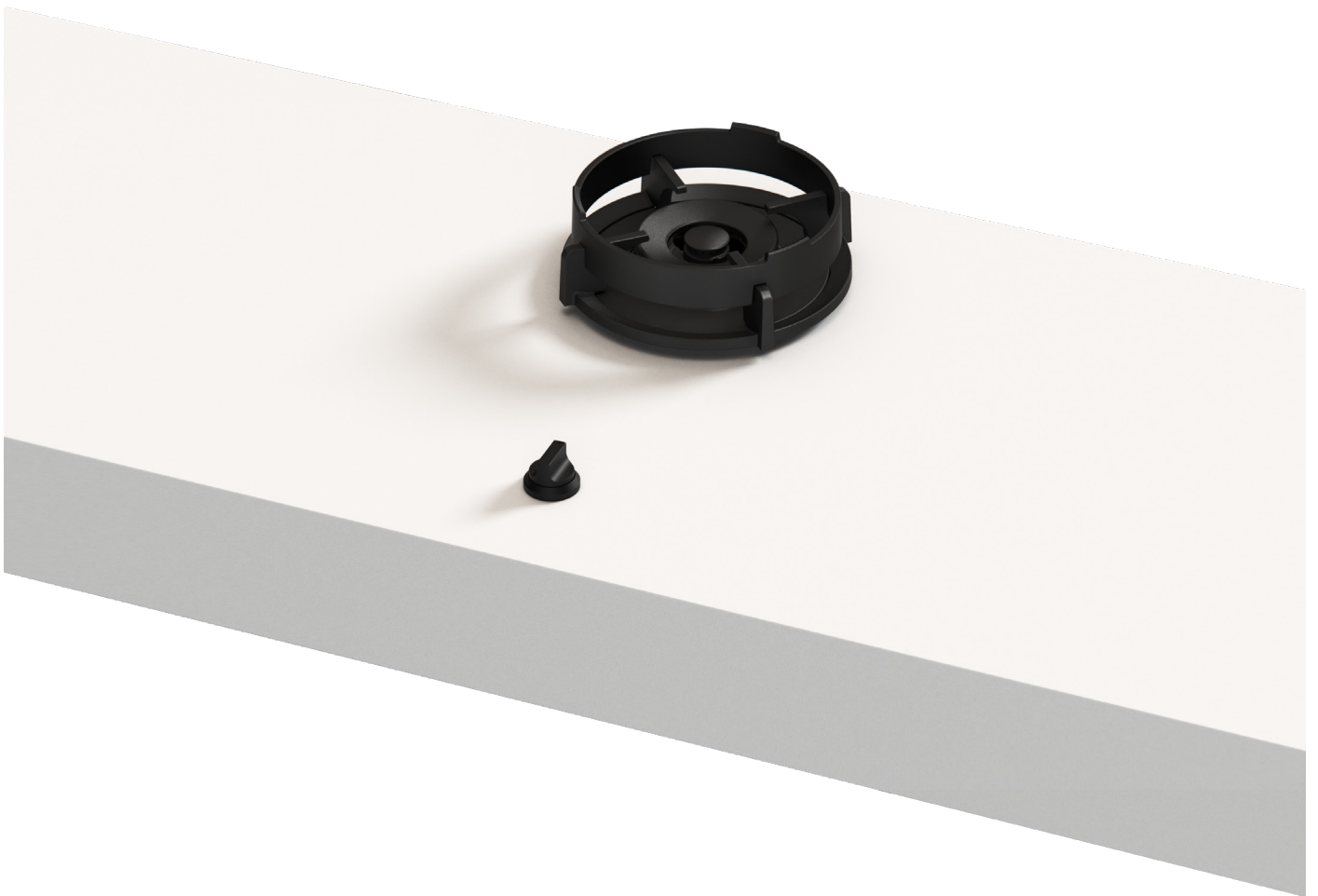


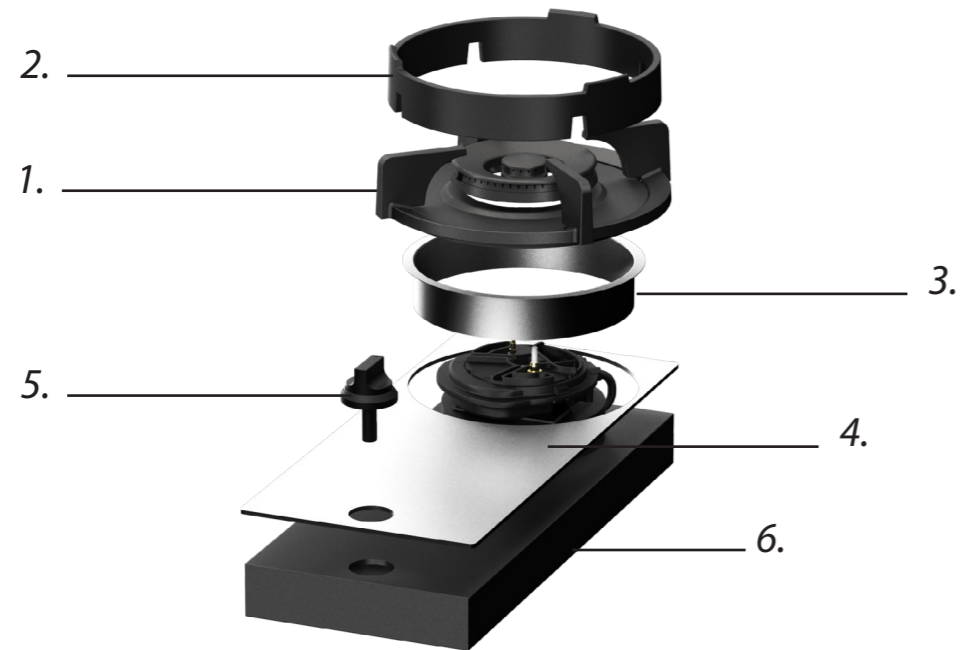
Made in Holland

PITT
COOKING



Gas
Air
Top Side

TS GAS 2025-9.1



1. **Wok-/simmer burner**
ENAMELED CAST IRON

2. **Wok ring**
ENAMELED CAST IRON

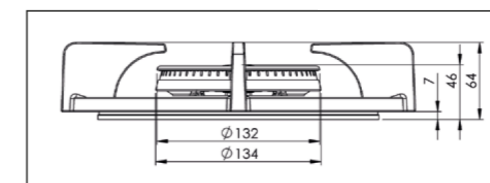
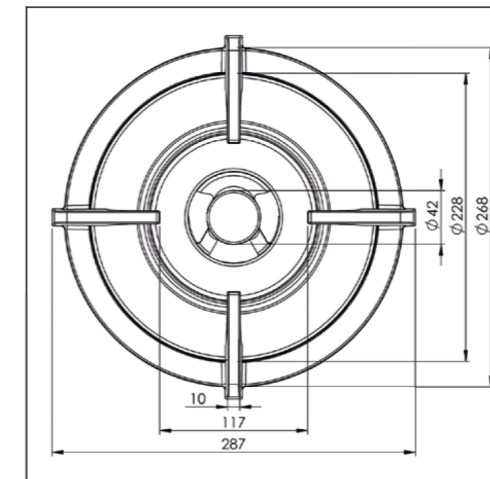
3. **Flange**
STEEL

4. **Heat conductor**
ALUMINIUM

5. **Control knob**
ANODISED ALUMINIUM

6. **Cassette unit**
GALVANIZED STEEL

Wok-/simmer burner



WOK-/SIMMER BURNER

MIN. POWER

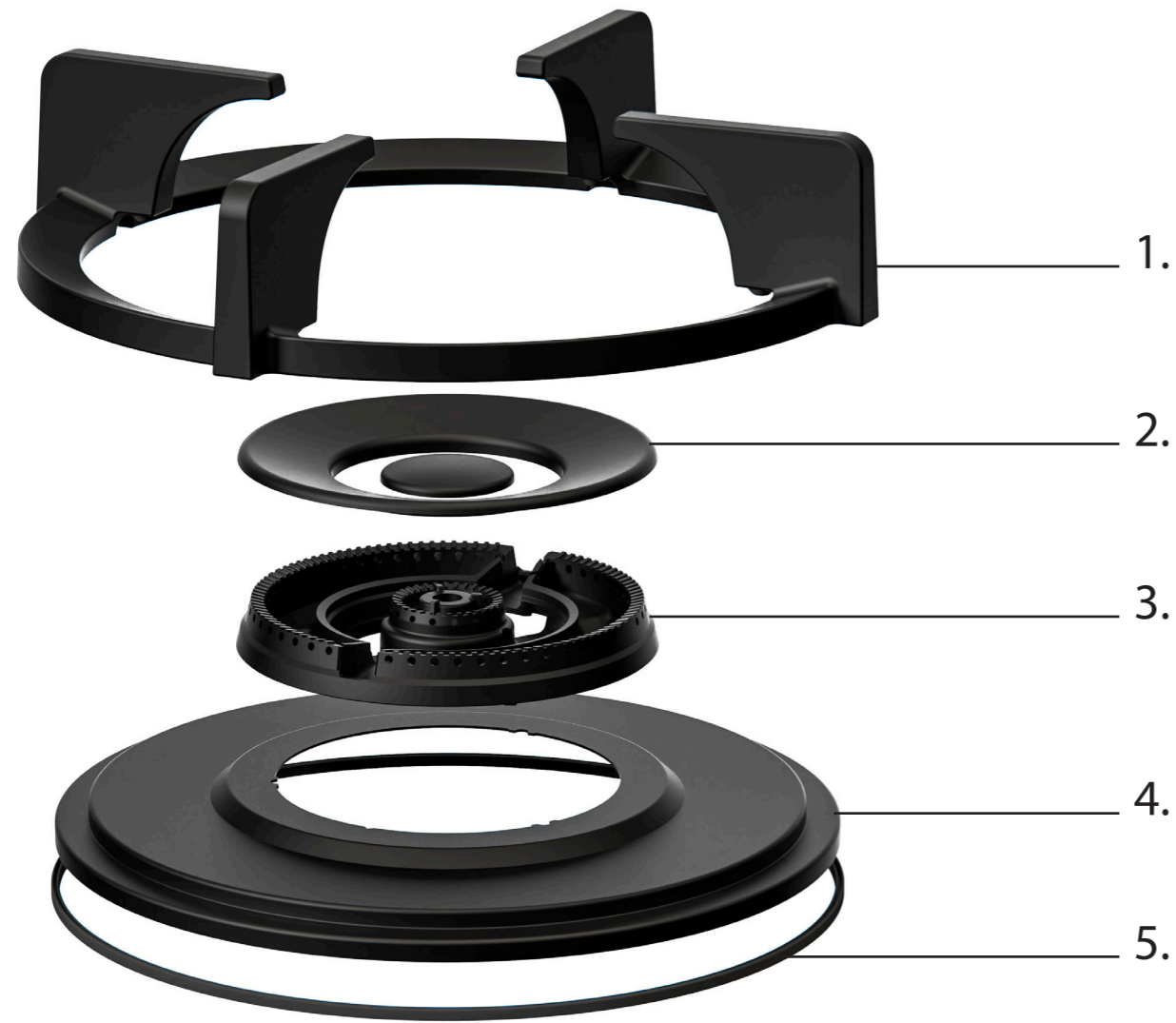
0,2 kW

MAX. POWER

5 kW

DIAM. POWER

Ø 270 mm



1. **Pan support**
ENAMELED CAST IRON

2. **Burner caps**
ENAMELED CAST IRON

3. **Flame spreader**
(COATED BRASS)

4. **Heat shield**
ENAMELED STEEL

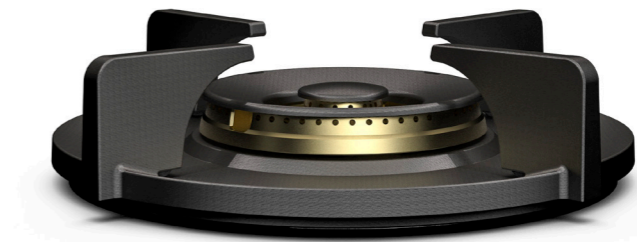
5. **Silicone ring**
SILICONE

Black edition
HEAVY BRASS BURNERS.
BLACK BURNERS WITH A BLACK SURFACE.
STYLISH AND REFINED.



WOK-/SIMMER BURNER

Professional edition
HEAVY BRASS BURNERS.
FOR THOSE WHO WANT TO COOK IN STYLE



WOK-/SIMMER BURNER

Control knob Top Side

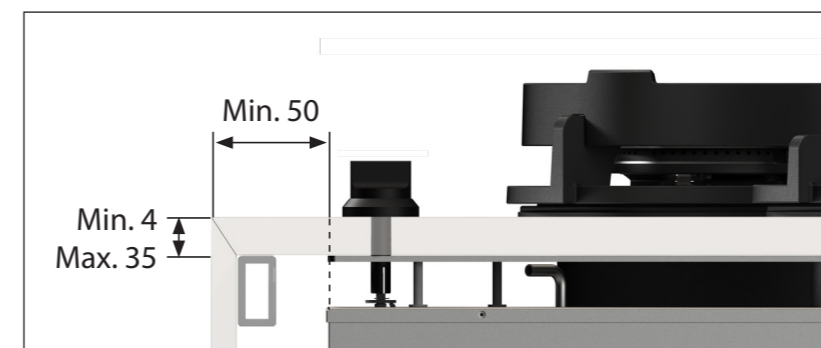
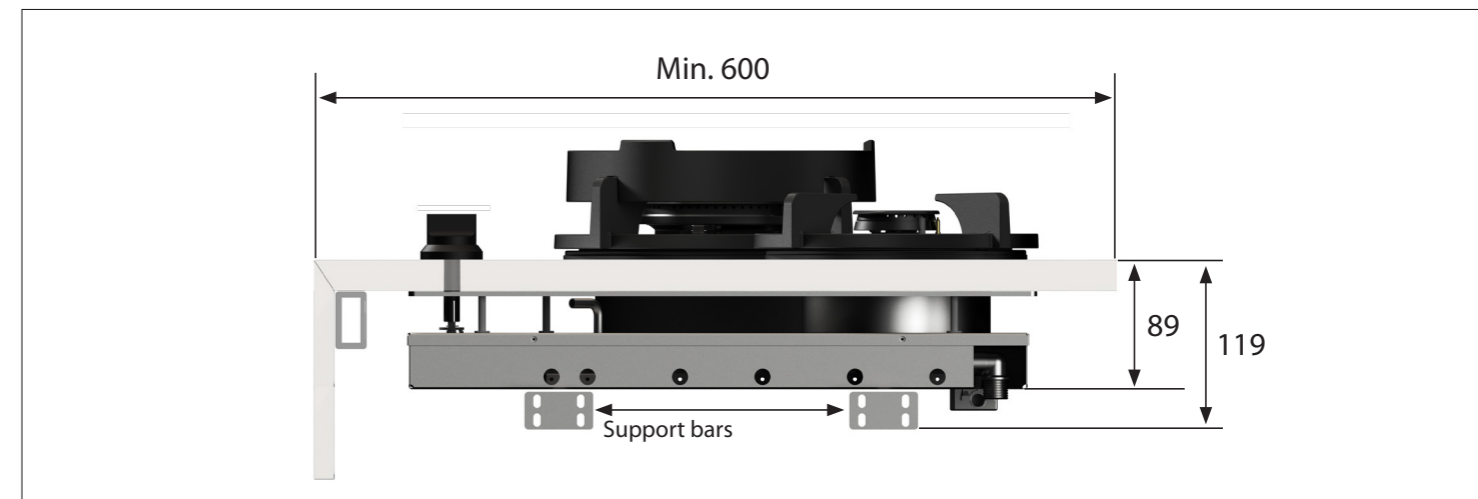
3D-image Top Side knob



Front view Top Side knob

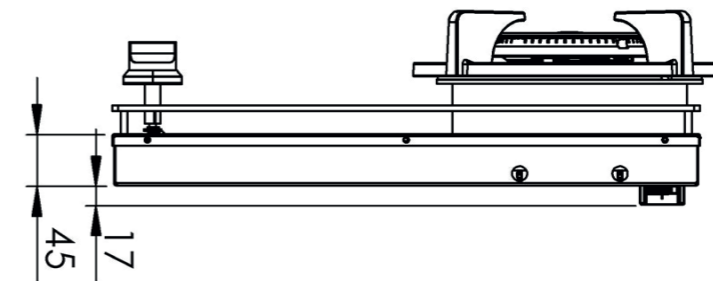
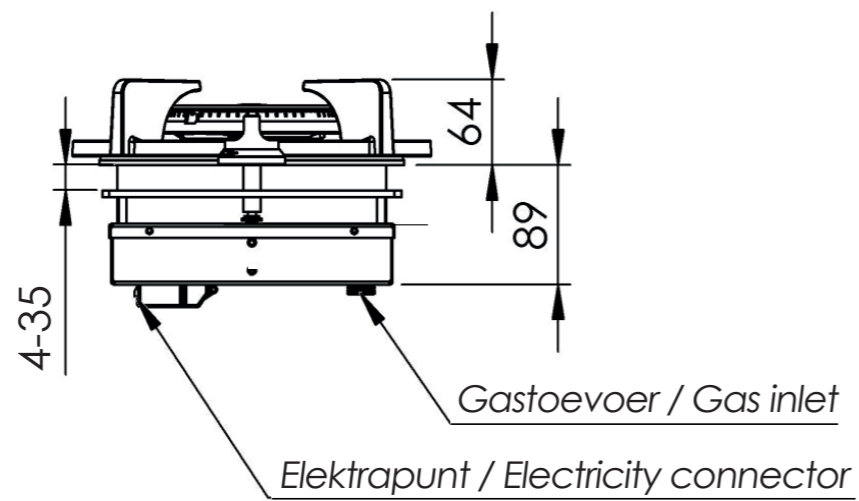
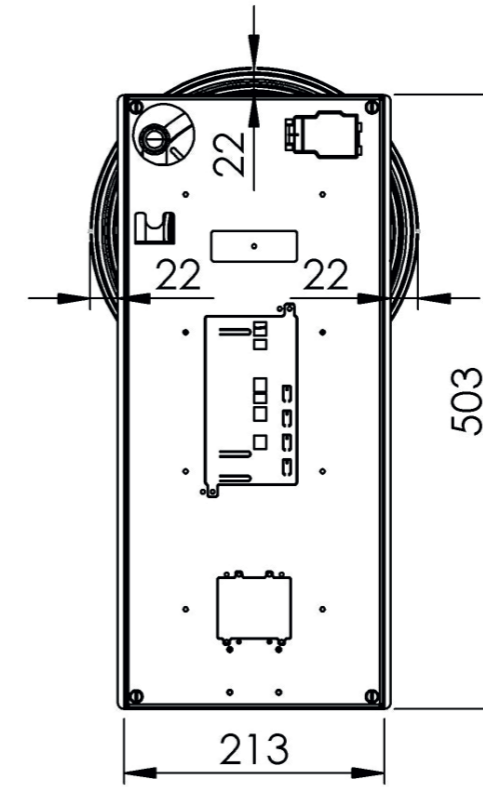
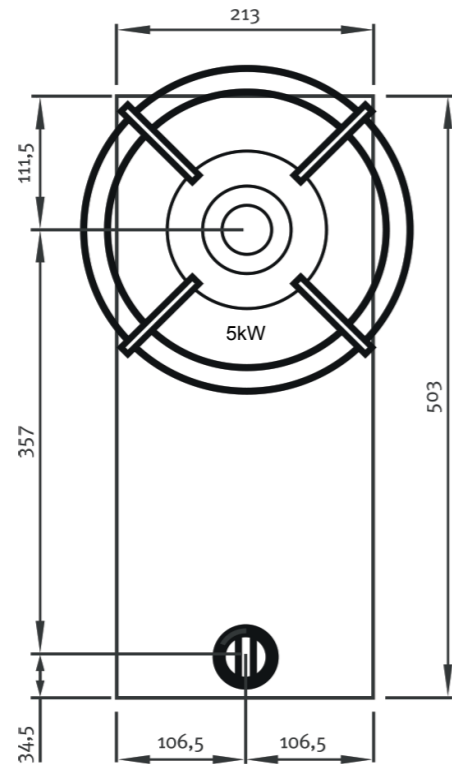


Top view Top Side knob

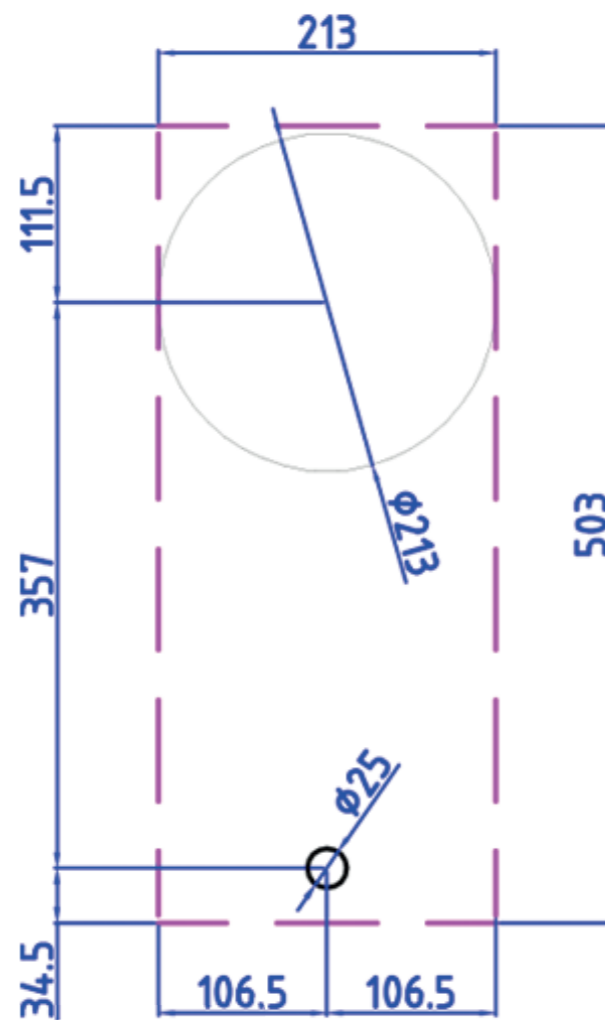


Important

- Minimal countertop depth: 600 mm
- Total height PITT unit incl. support bar set: 119 mm
- Countertop thickness: 4-35 mm
- The C-size is a **minimal** size

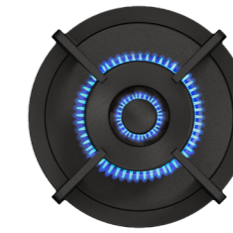


Hole pattern



Hole pattern gas
DXF bestand

Technical specifications



Model	Air Top Side
Type of burners	1x wok-/simmer burner (0,2 - 5 kW)
Editions	Professional (brass) Black (full black)
The controls	Top Side
Module dimensions (LxBxH)	213 x 503 x 89 mm
Automatic spark ignition	✓
Flame protection	✓
Weight	7,5 kg
Wok ring	✓

Gas & Electricity

Type of gas suitable	Natural gas, LPG (Bottled gas)
Type of gas connection	½" external threads
Position gas connection	Top corner, right
Voltage	220V-110V (default) / 1,5V (battery)
Cord length	1500 mm / 591/16"



Installation and handling instructions gas



Installation manual Top Side gas



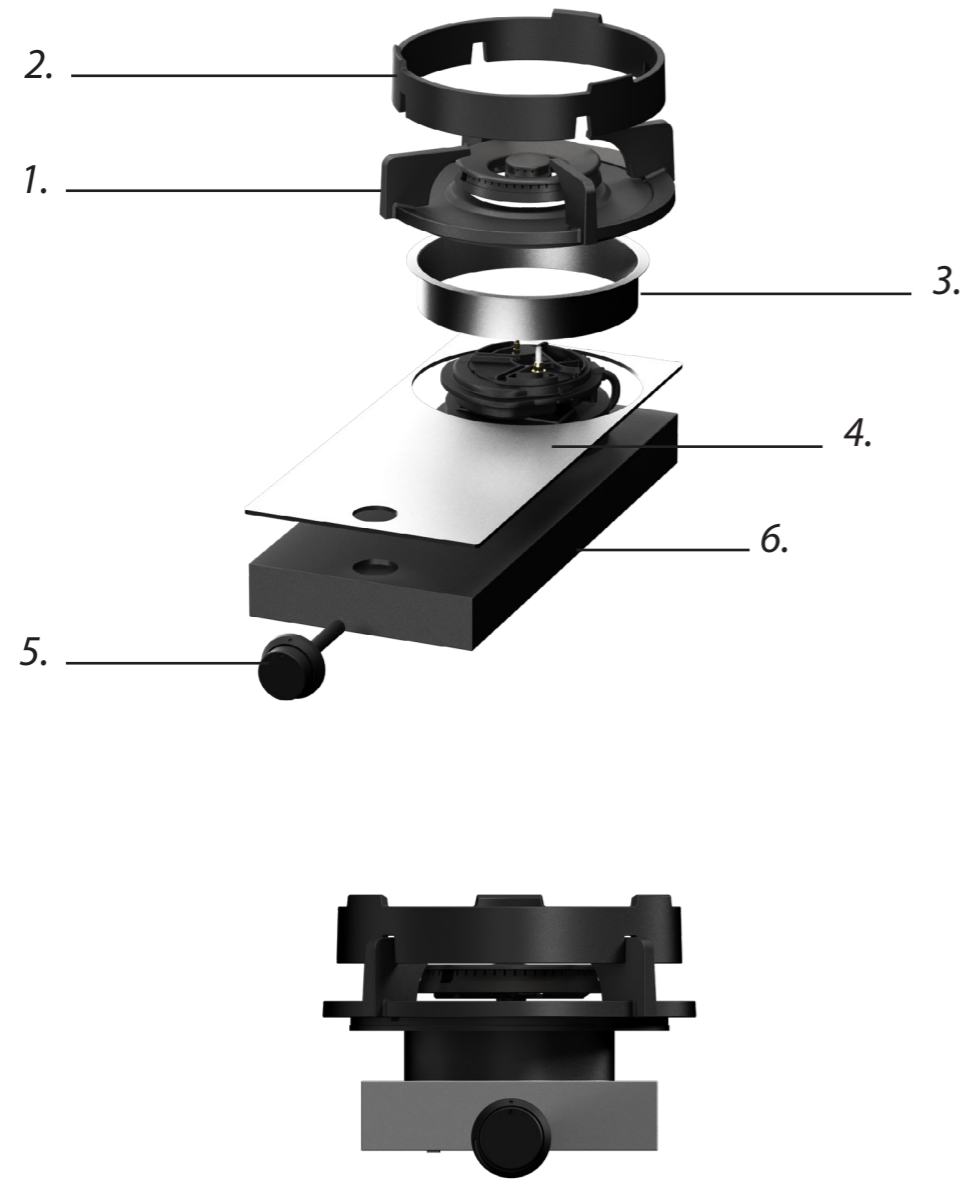
User manual gas

Made in Holland

PITT
COOKING



Gas
Air
Front Side



1. **Wok-/simmer burner**
ENAMELED CAST IRON

2. **Wok ring**
ENAMELED CAST IRON

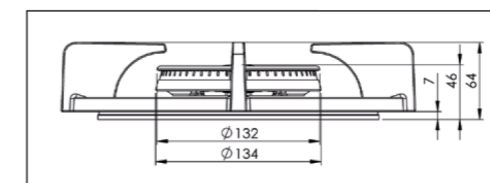
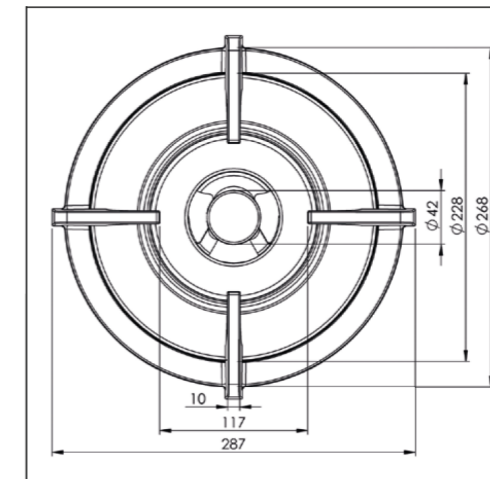
3. **Flange**
STEEL

4. **Heat conductor**
ALUMINIUM

5. **Control knob**
ANODISED ALUMINIUM

6. **Cassette unit**
GALVANIZED STEEL

Wok-/simmer burner



WOK-/SIMMER BURNER

MIN. POWER

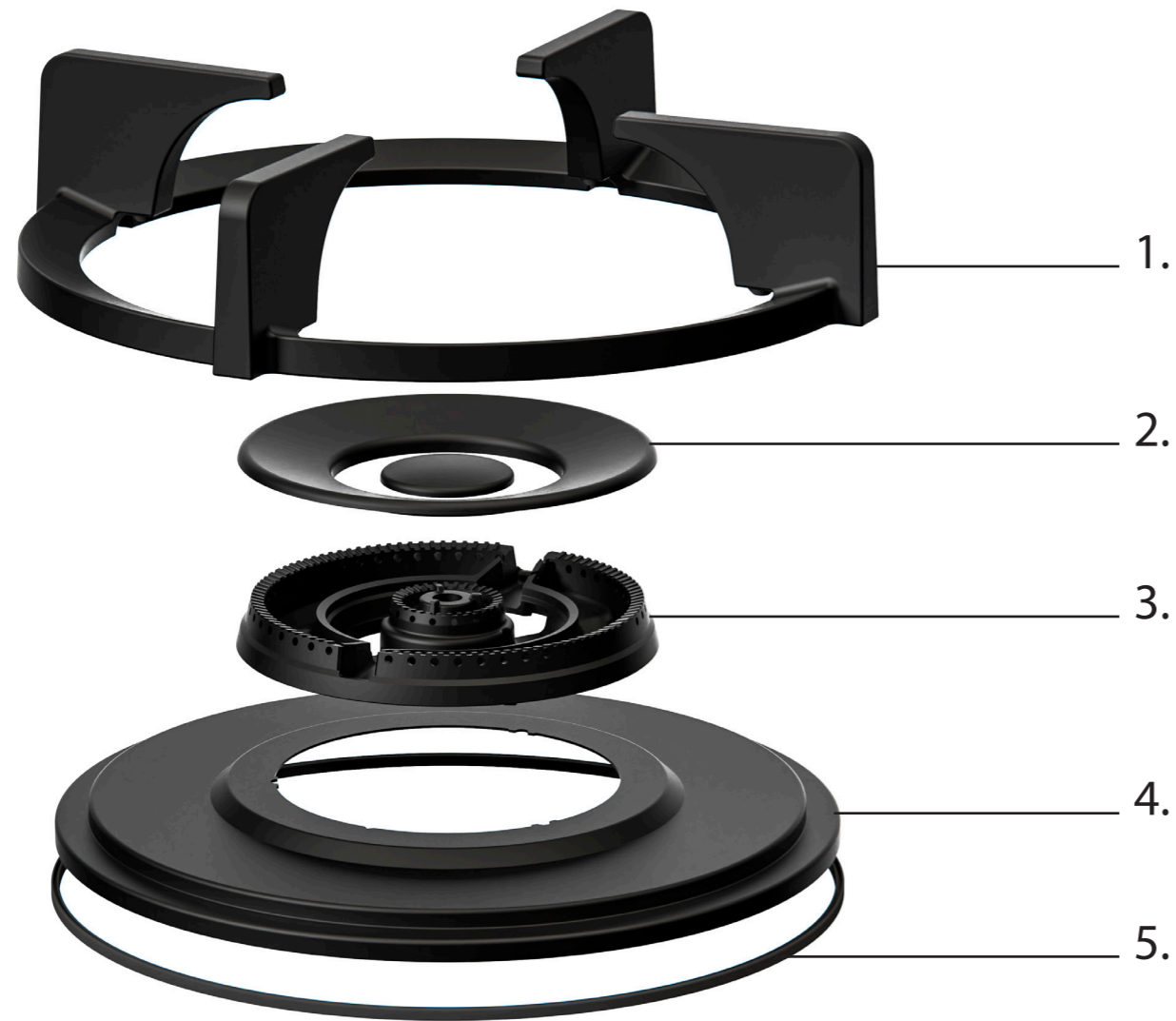
0,2 kW

MAX. POWER

5 kW

DIAM. POWER

Ø 270 mm



1. **Pan support**
ENAMELED CAST IRON

2. **Burner caps**
ENAMELED CAST IRON

3. **Flame spreader**
(COATED BRASS)

4. **Heat shield**
ENAMELED STEEL

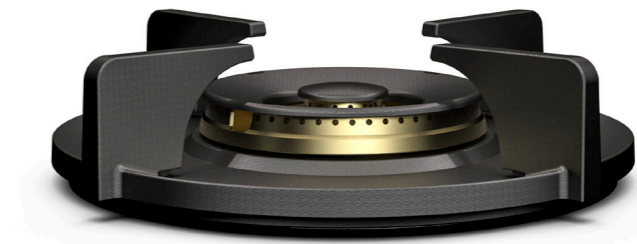
5. **Silicone ring**
SILICONE

Black edition
HEAVY BRASS BURNERS.
BLACK BURNERS WITH A BLACK SURFACE.
STYLISH AND REFINED.



WOK-/SIMMER BURNER

Professional edition
HEAVY BRASS BURNERS.
FOR THOSE WHO WANT TO COOK IN STYLE



WOK-/SIMMER BURNER

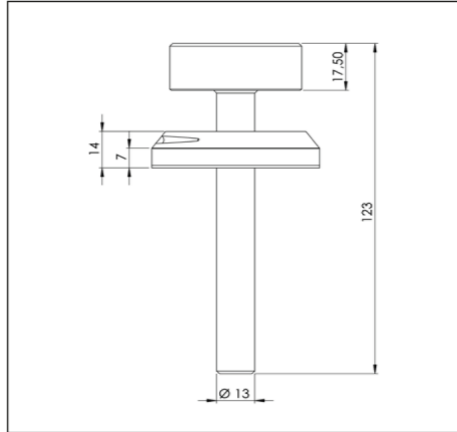
Control knob Front Side

Template dimensions

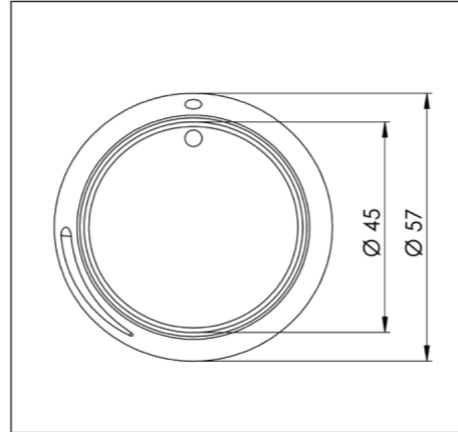
3D-image Front Side knob



Front view Front Side knob



Top view Front Side knob



1. Determine the height of the countertop's front edge.
(Minimum height: 100 mm)
2. Determine the distance between the center of control knob and the top of the countertop.
(Minimum height: 50 mm / Maximum height: 100 mm)
3. Determine the thickness of the countertop
(Minimum thickness: 4 mm / Maximum thickness: 25 mm)

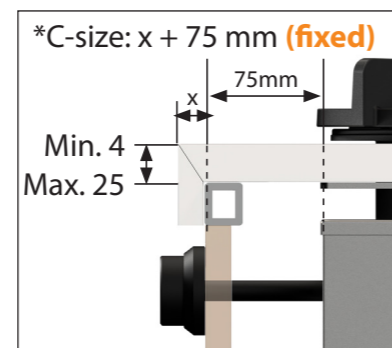
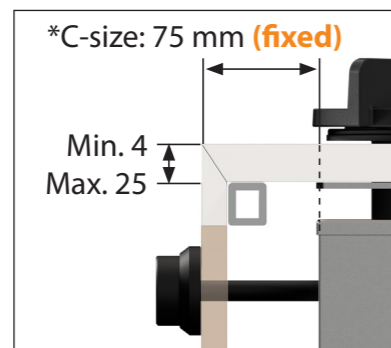
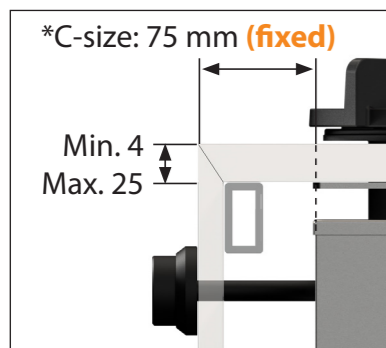
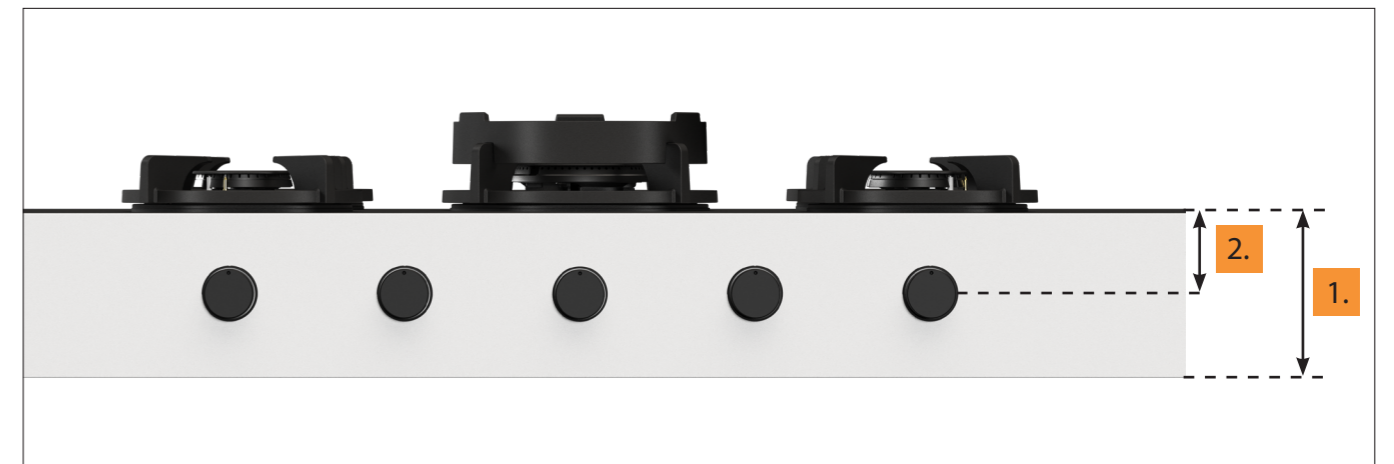
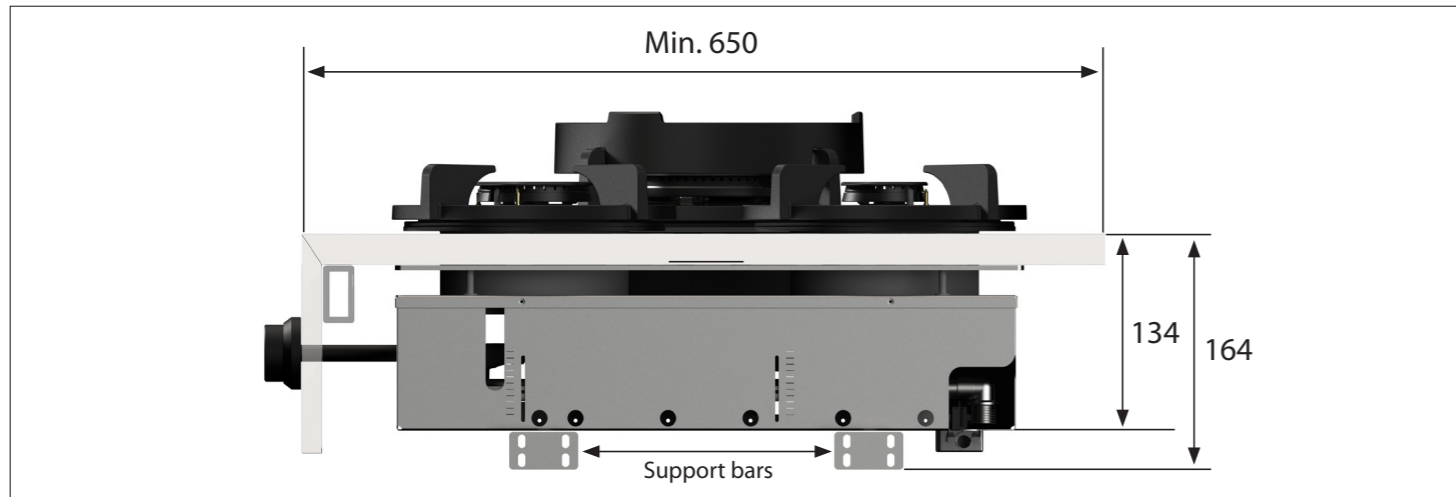
1. mm

2. mm

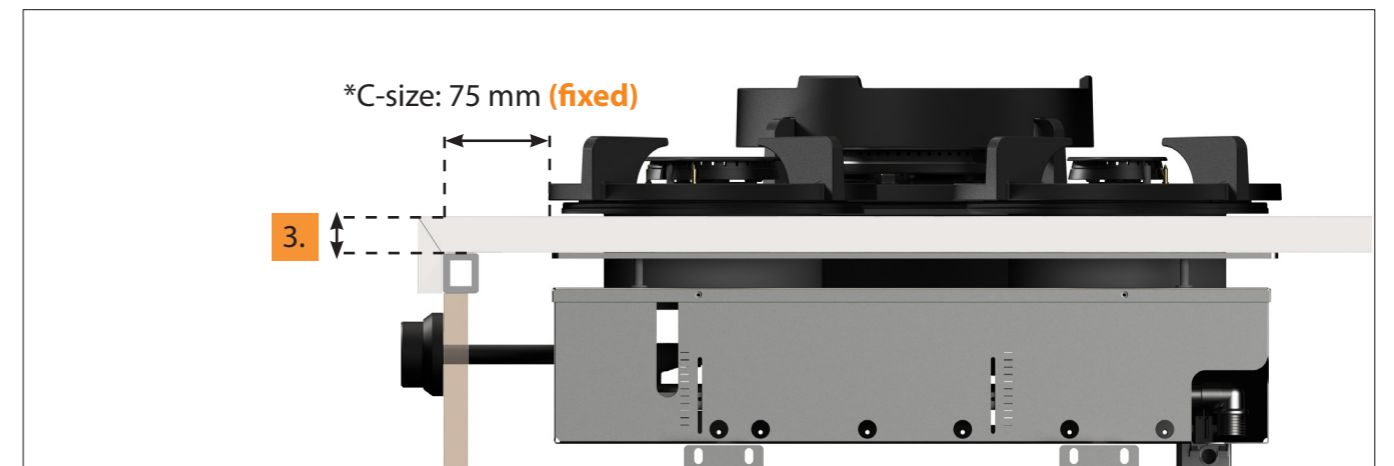
3. mm

***WARNING: C-size (75 mm) is a fixed size.**

*C-Size: 75 mm



Warning! *C-Size is a fixed size



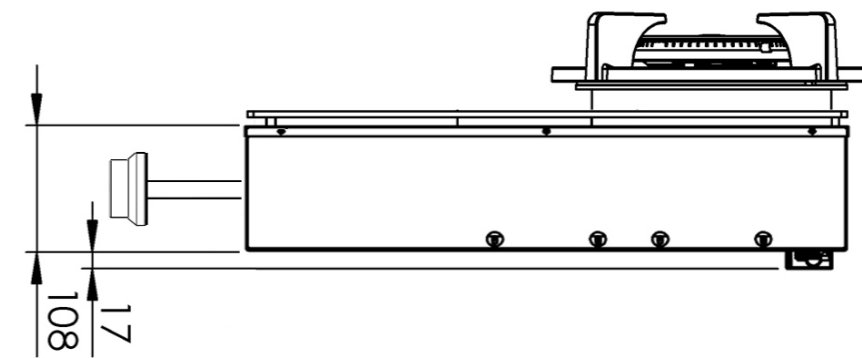
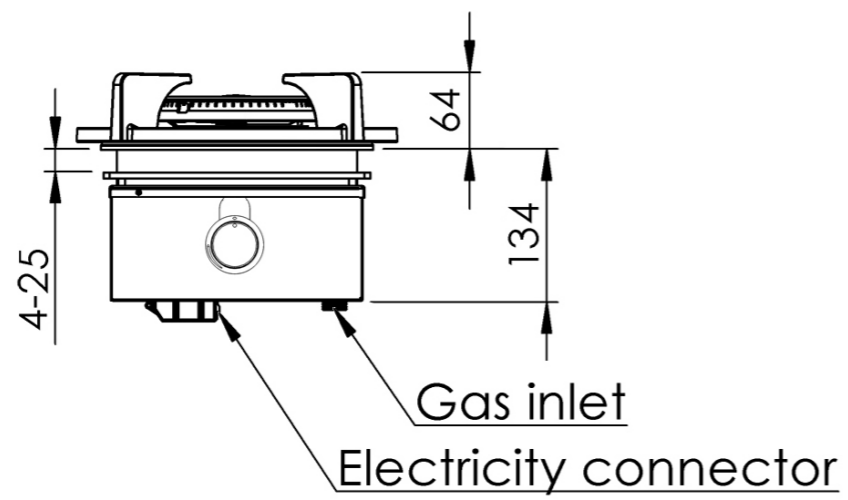
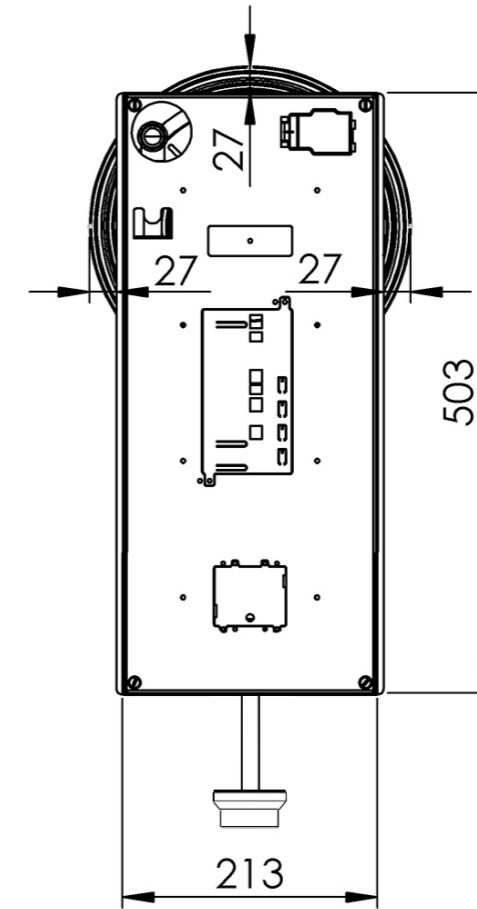
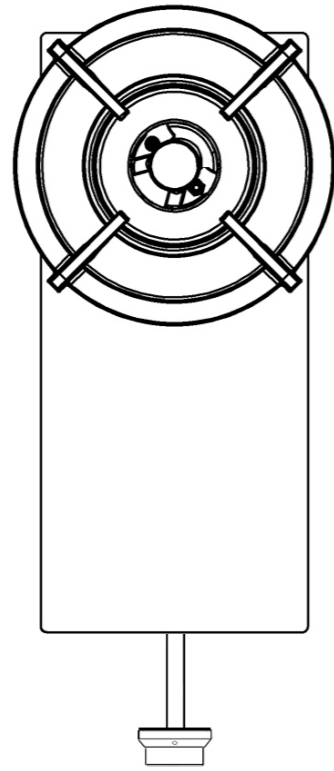
Important

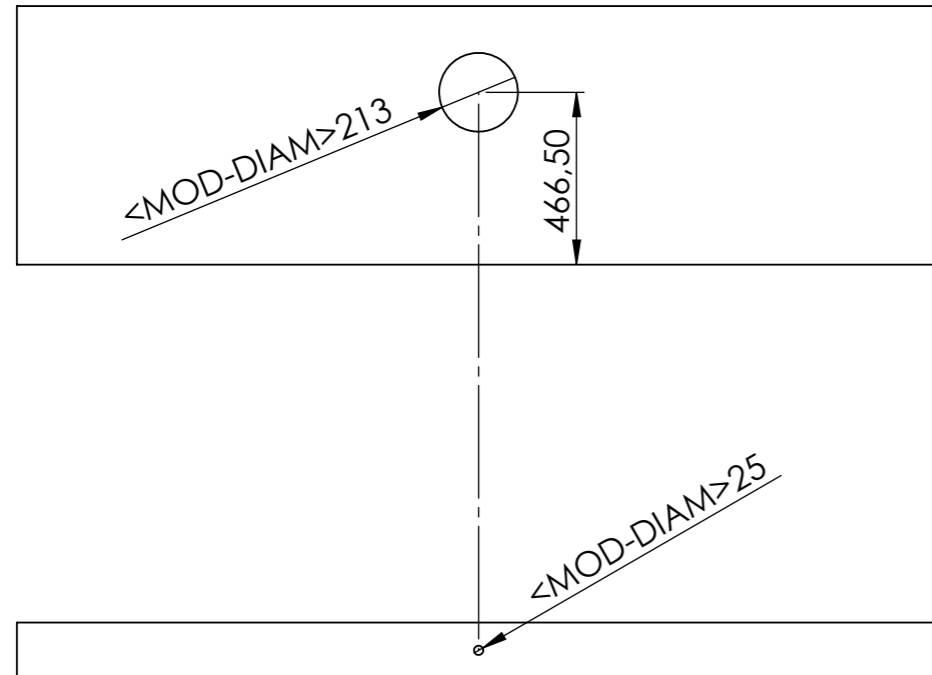
- Minimal countertop depth: 650 mm
- Total height PITT unit incl. support bar set: 164mm
- Countertop thickness: 4-25 mm
- *C-size is a **fixed** size



Template dimensions -
Front Side control knob gas

This file must be completed and included with the purchase order. Scan the QR code for the file or visit the download page on our website.





Hole pattern gas
DXF bestand



Model	Air Front Side
Type of burners	1x wok-/simmer burner (0,2 - 5 kW)
Editions	Professional (brass) Black (full black)
The controls	Front Side
Module dimensions (LxBxH)	213 x 503 x 89 mm
Automatic spark ignition	✓
Flame protection	✓
Weight	7,5 kg
Wok ring	✓

Gas & Electricity

Type of gas suitable	Natural gas, LPG (Bottled gas)
Type of gas connection	1/2" external threads
Position gas connection	Top corner, right
Voltage	220V-110V (default) / 1,5V (battery)
Cord length	1500 mm / 591/16"



Installation and handling instructions gas



Installation manual Front Side gas



User manual gas