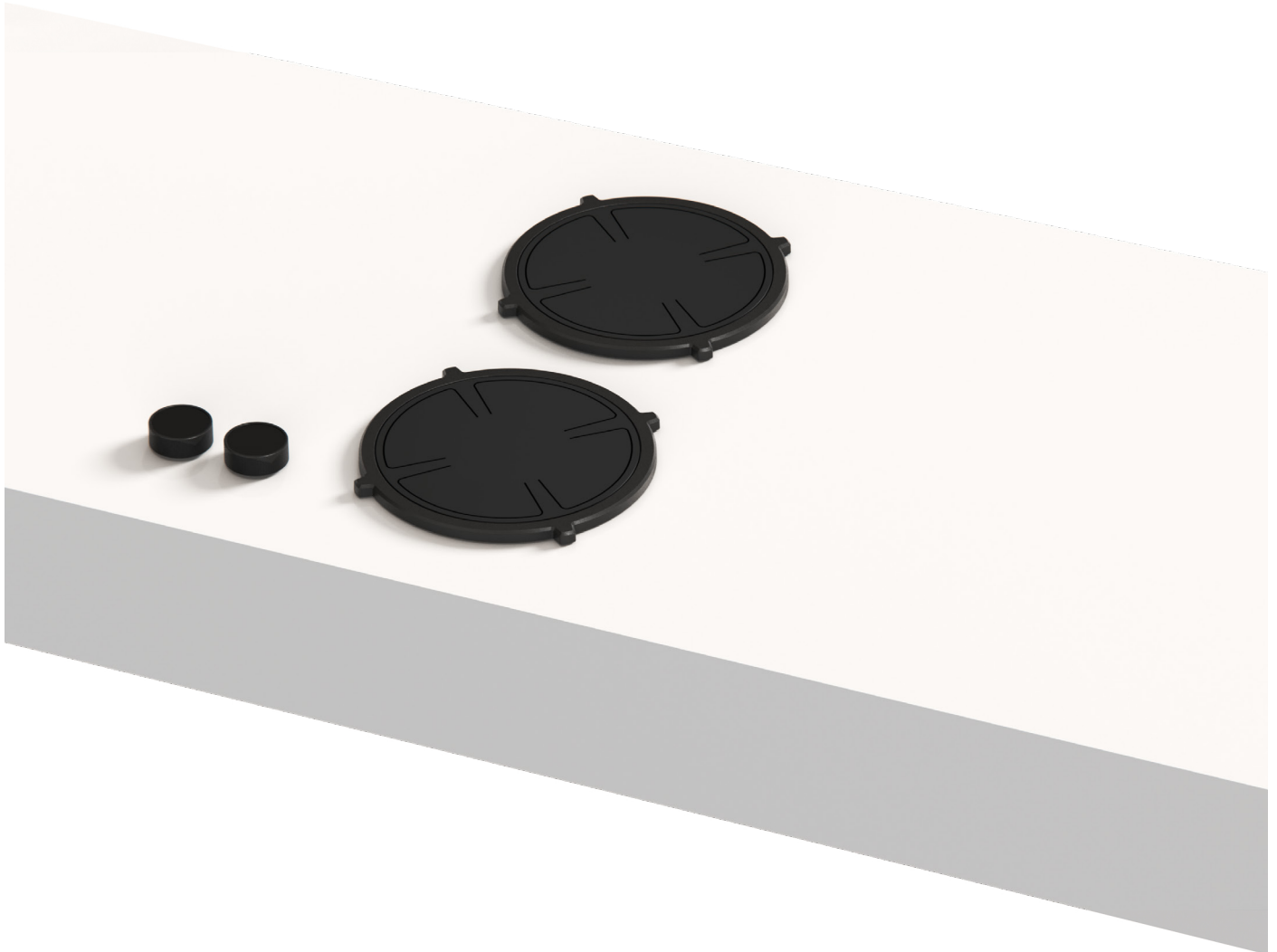


Made in Holland

PITT
COOKING

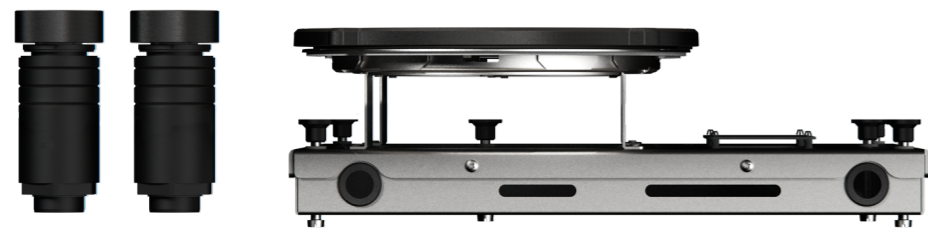


Induction
Bandai-I
Top Side

TS INDUCTION 2025-9.1

Exploded view

Induction zones



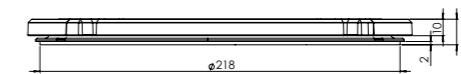
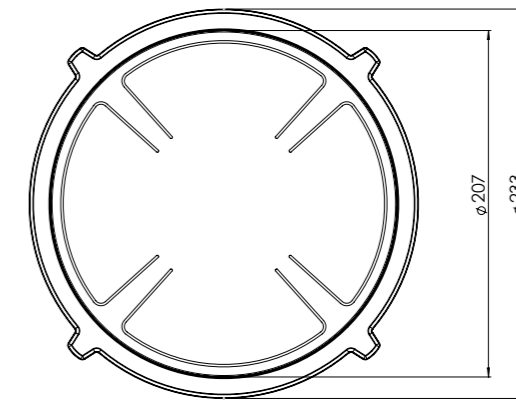
1. **Decorative ring small**
COATED ALUMINUM

2. **Induction zone small**
COATED ALUMINUM/ CERAMIC GLASS

3. **Control knob**
ALUMINUM/GLASS

4. **Cassette**
ALUMINUM

Small zone



SMALL ZONE

NOM. POWER
1400 Watt

MAX. POWER
2100 Watt

Control knob

3D-visualization of Top Side knob

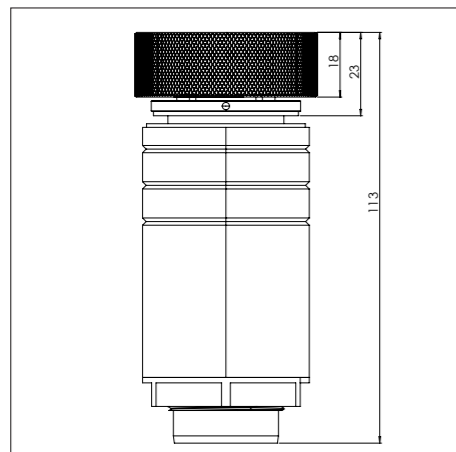


3D-visualization Front Side knob

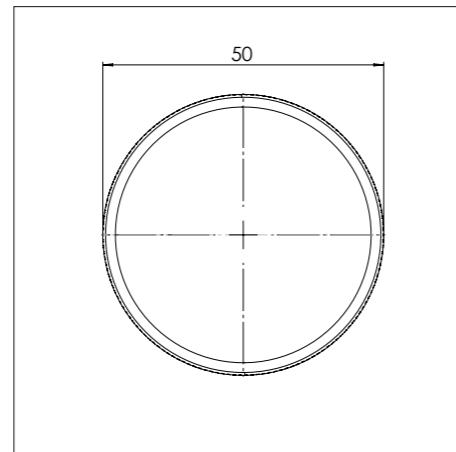


Dimensions control knob

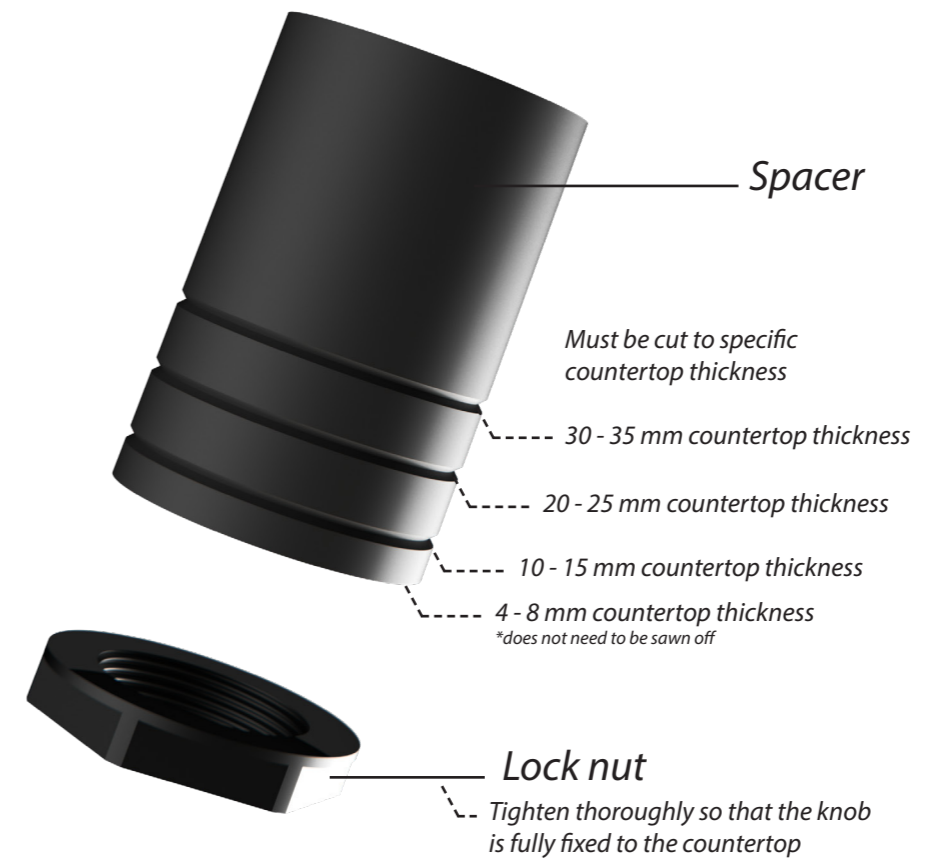
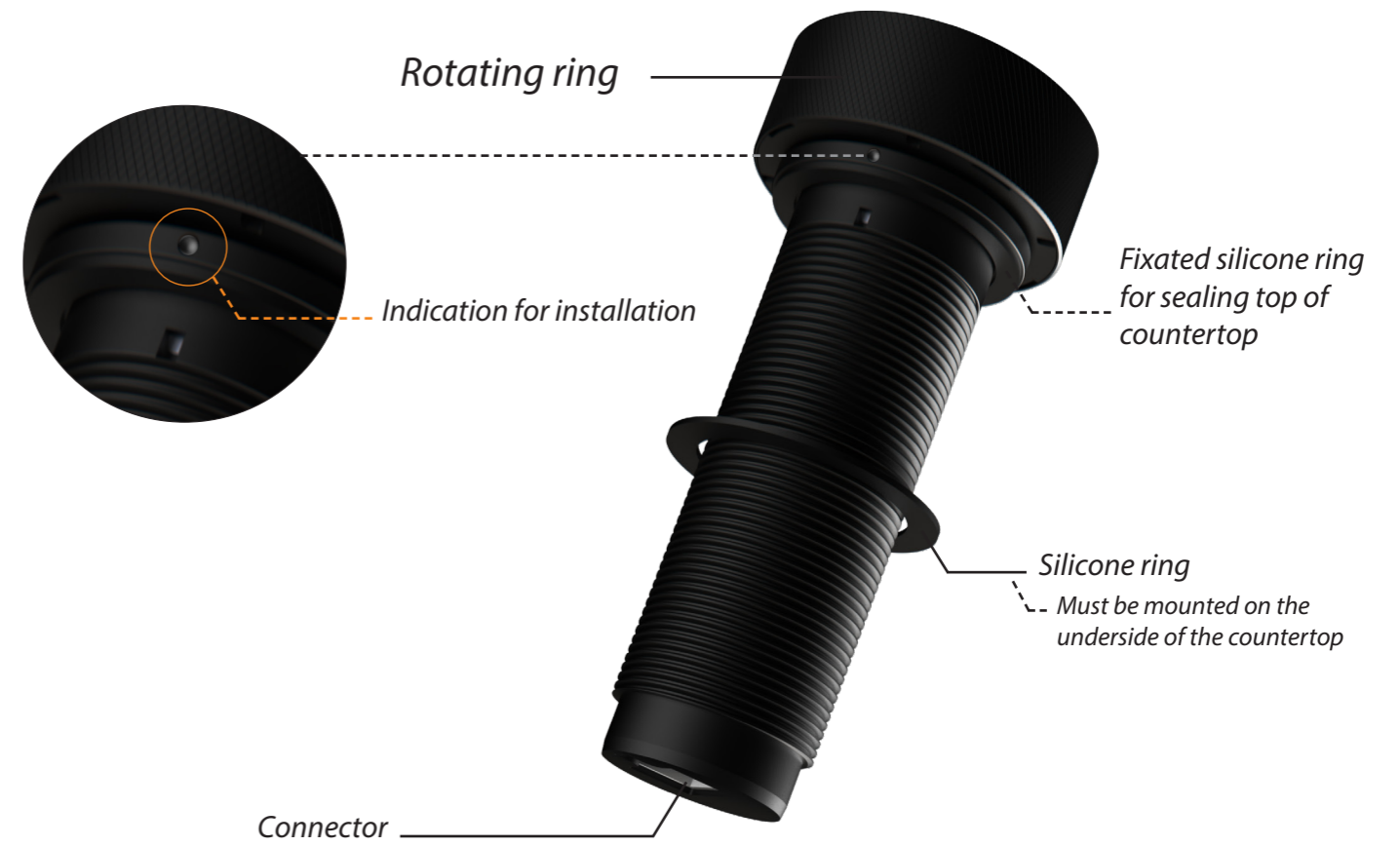
Front view

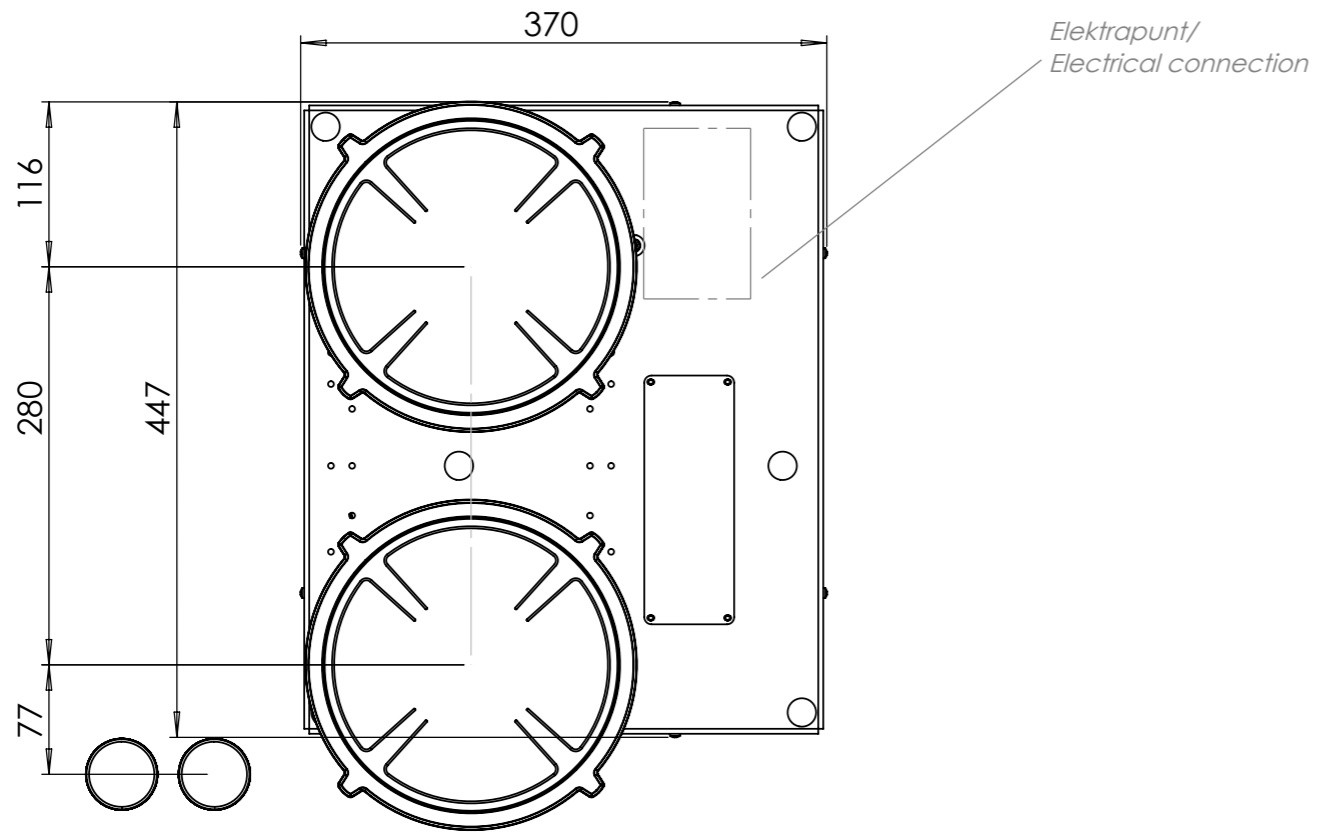


Top view

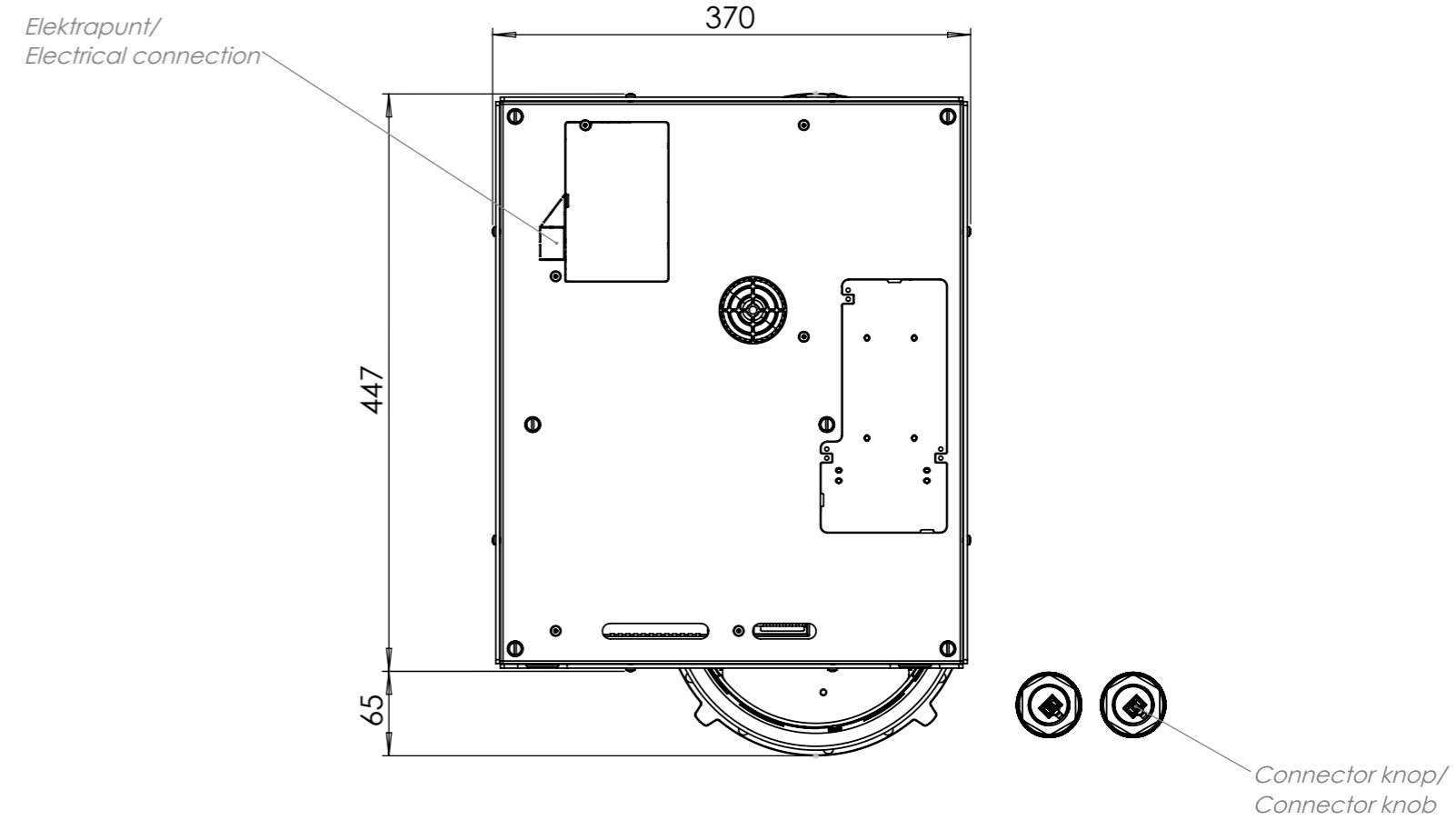


Control knob

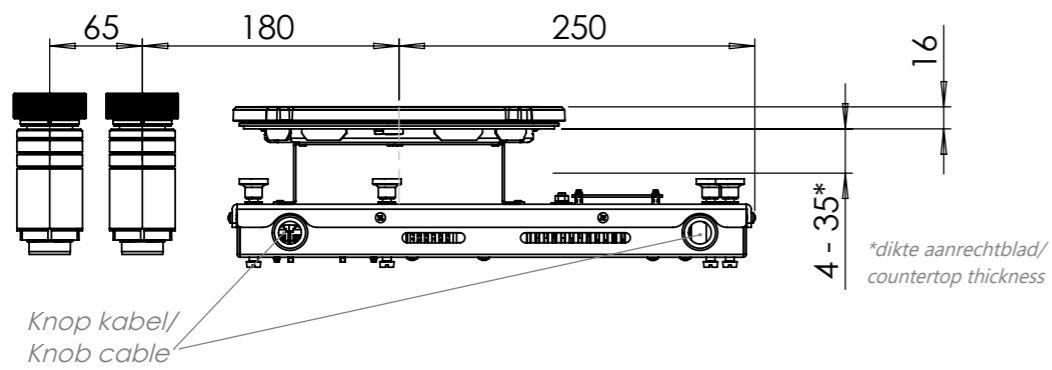




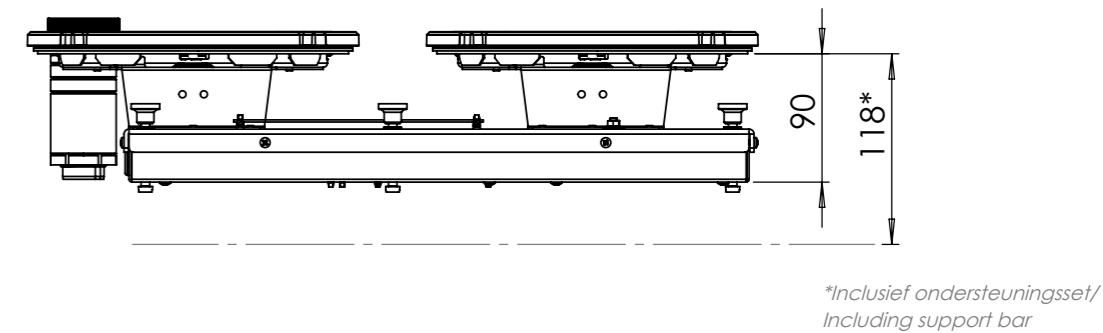
Bovenaanzicht / Top view



Onderaanzicht / Bottom view

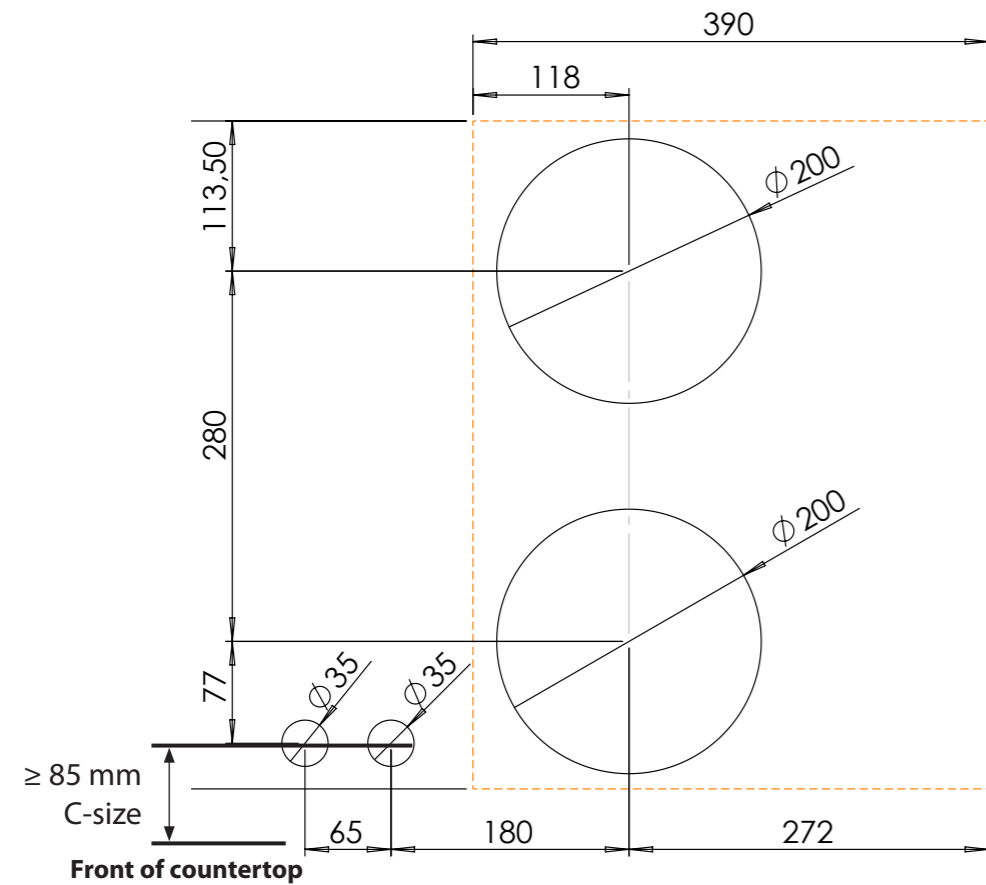


Vooraanzicht / Front view



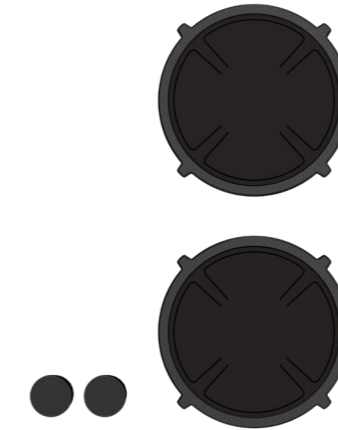
Zijaanzicht / Side view

Hole pattern

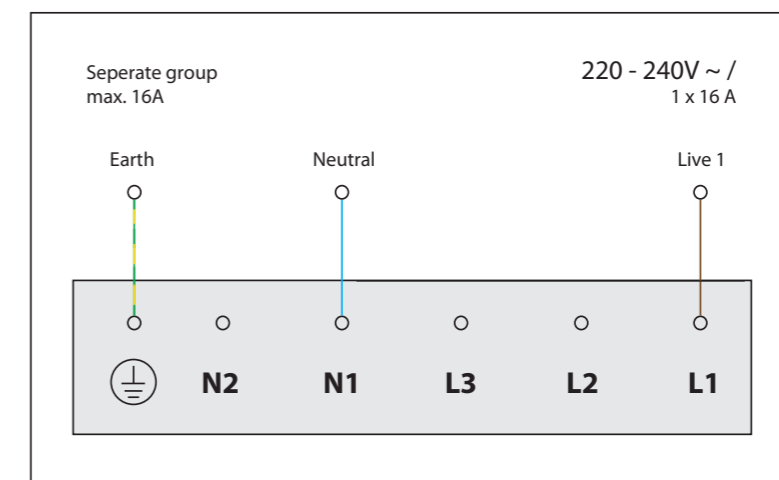


Hole pattern
DXF file

Technical information



Model	Bandai Top Side
Type zones	2x zone small
Editions	Black (fully black)
Automatic pan detection	✓
Power levels	0 - 10 + Boost
Nominal voltage	220-240 V, 1N~
Maximum power	3680 W
Netto weight	9 kg



$\varnothing \geq 2.5\text{mm}^2$





Installation and handling instructions



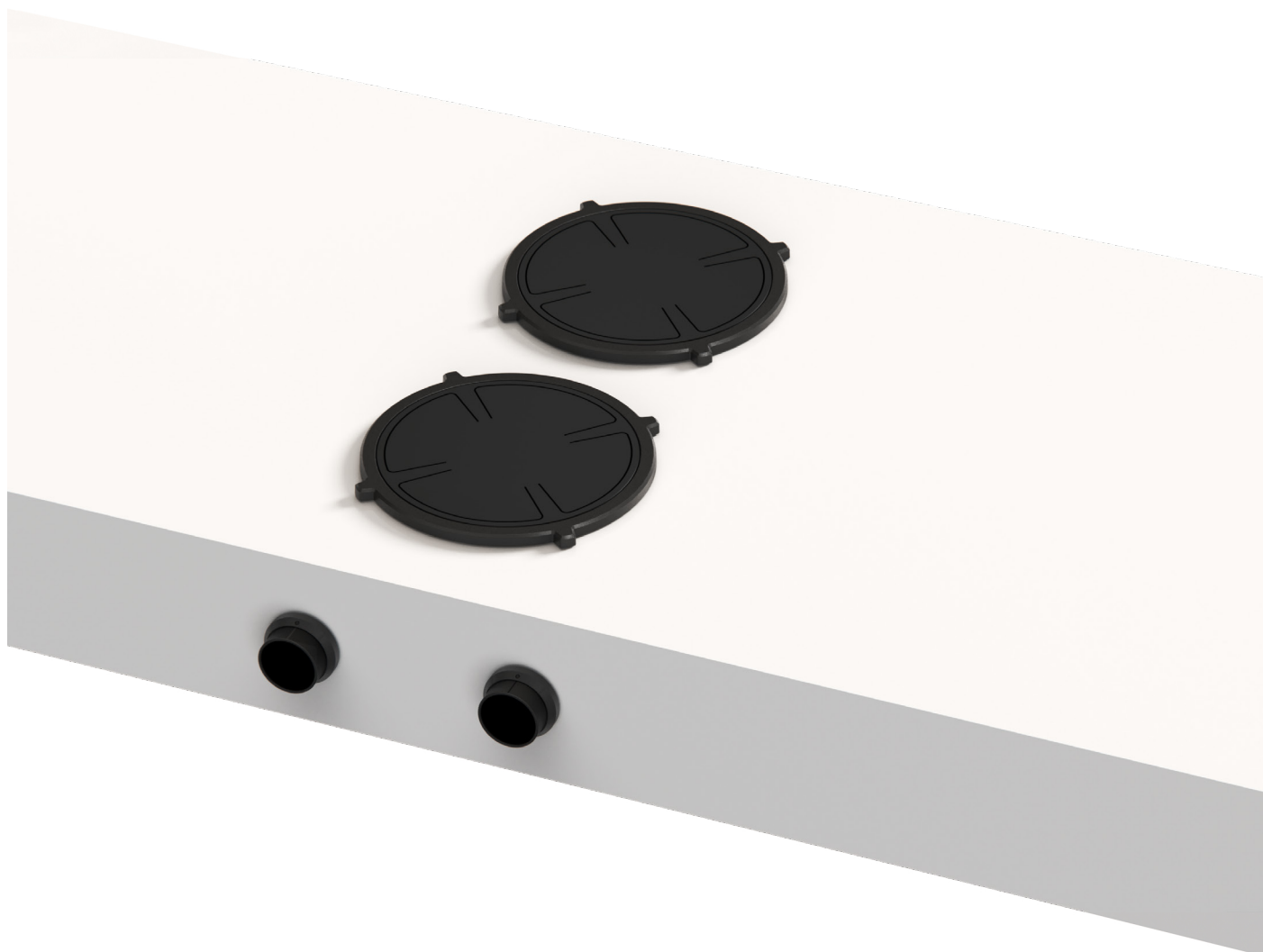
Installation manual induction



User manual induction

Made in Holland

PITT
COOKING

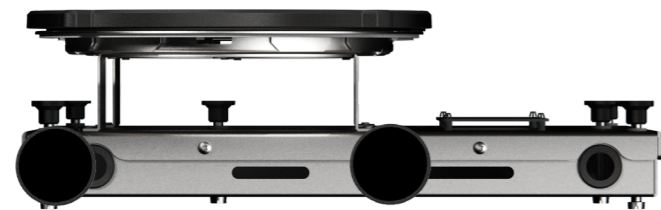


Induction

Bandai-I
Front Side

Exploded view

Induction zones



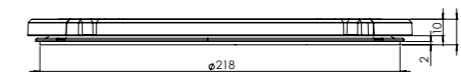
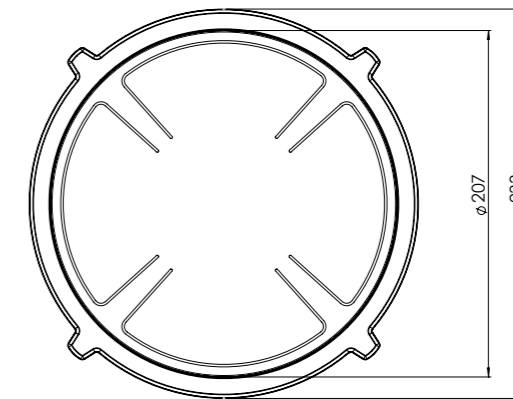
1. **Decorative ring small**
COATED ALUMINUM

2. **Induction zone small**
COATED ALUMINUM/ CERAMIC GLASS

3. **Control knob**
ALUMINUM/GLASS

4. **Cassette**
ALUMINUM

Small zone



SMALL ZONE

NOM. POWER
1400 Watt

MAX. POWER
2100 Watt

Control knob

3D-visualization of Top Side knob

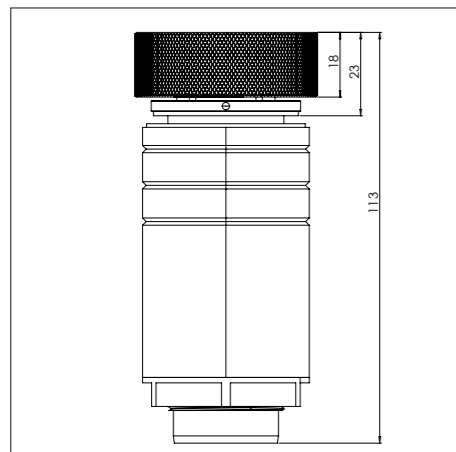


3D-visualization Front Side knob

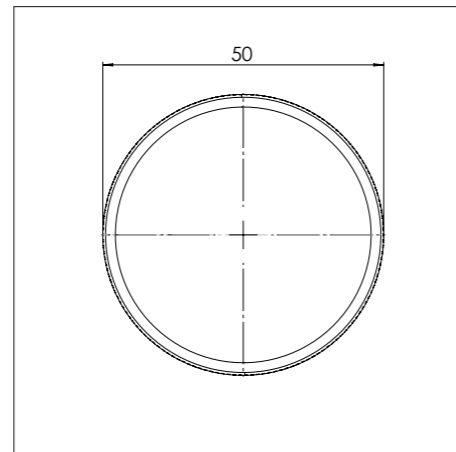


Dimensions control knob

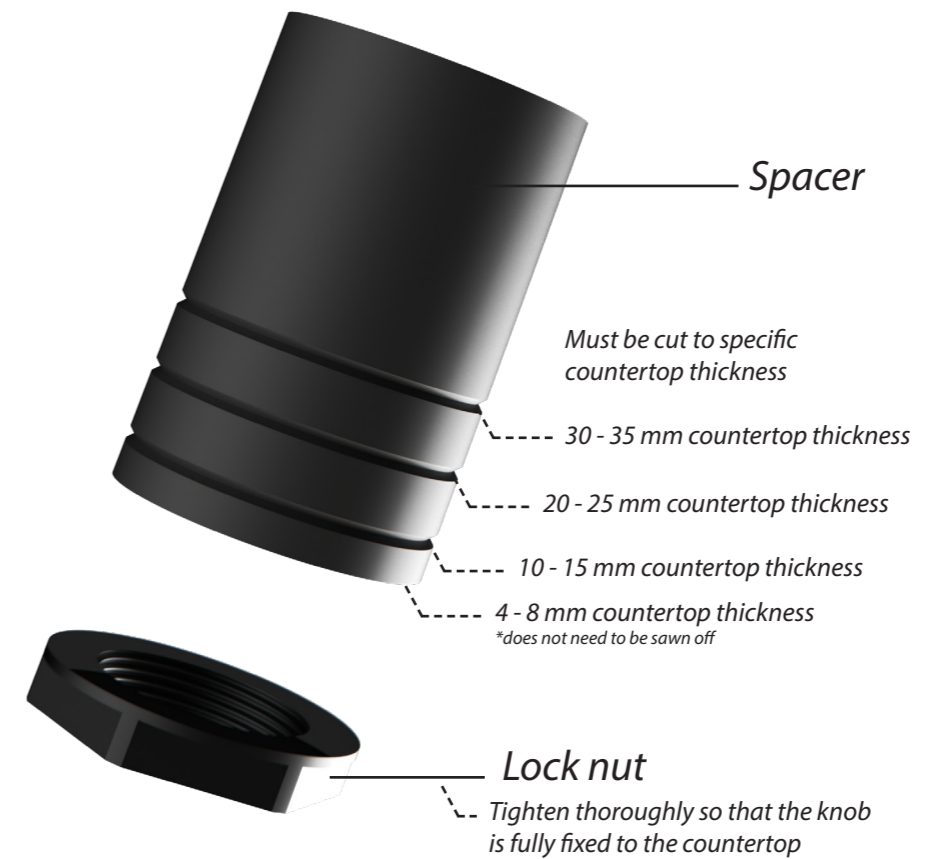
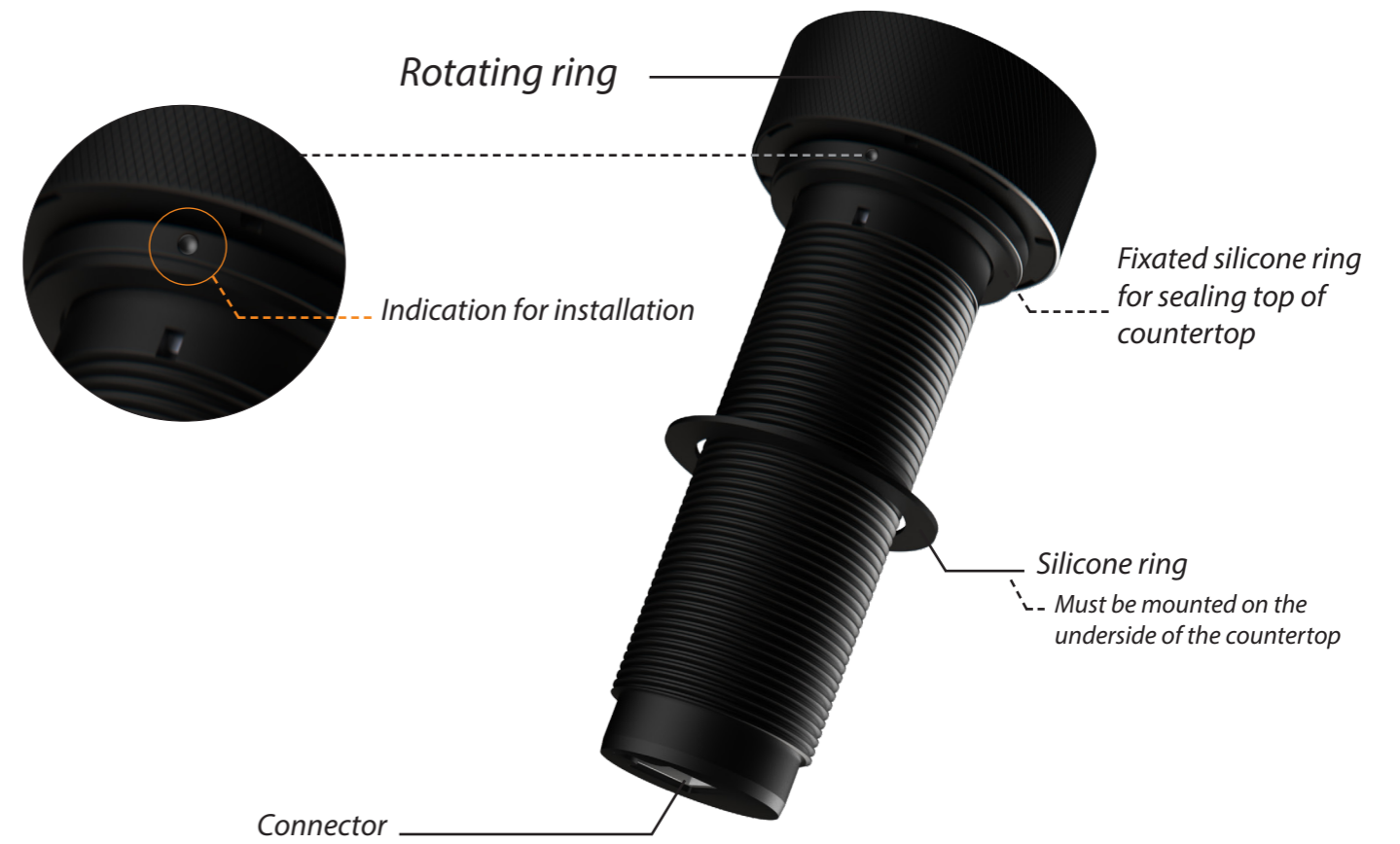
Front view

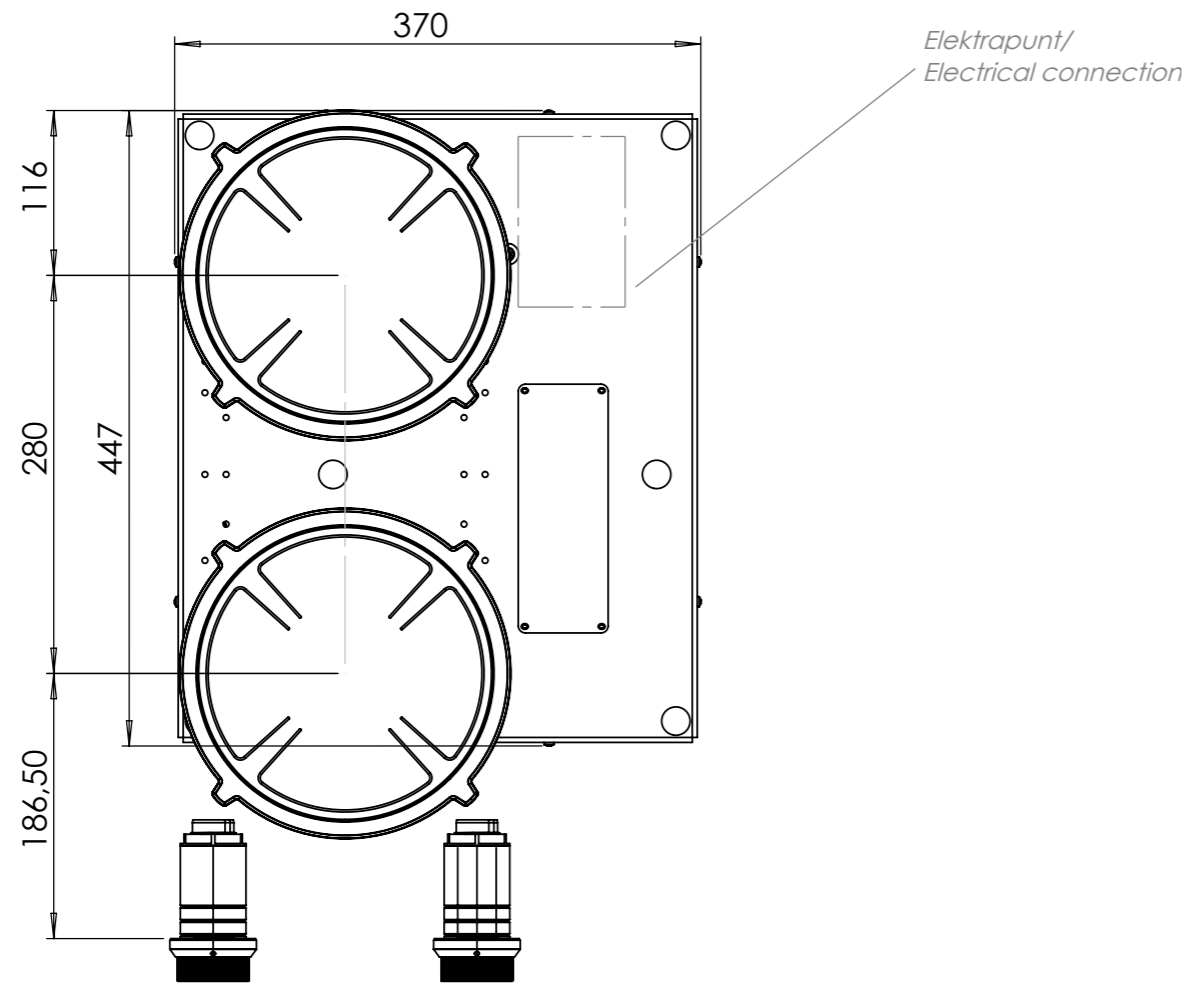


Top view

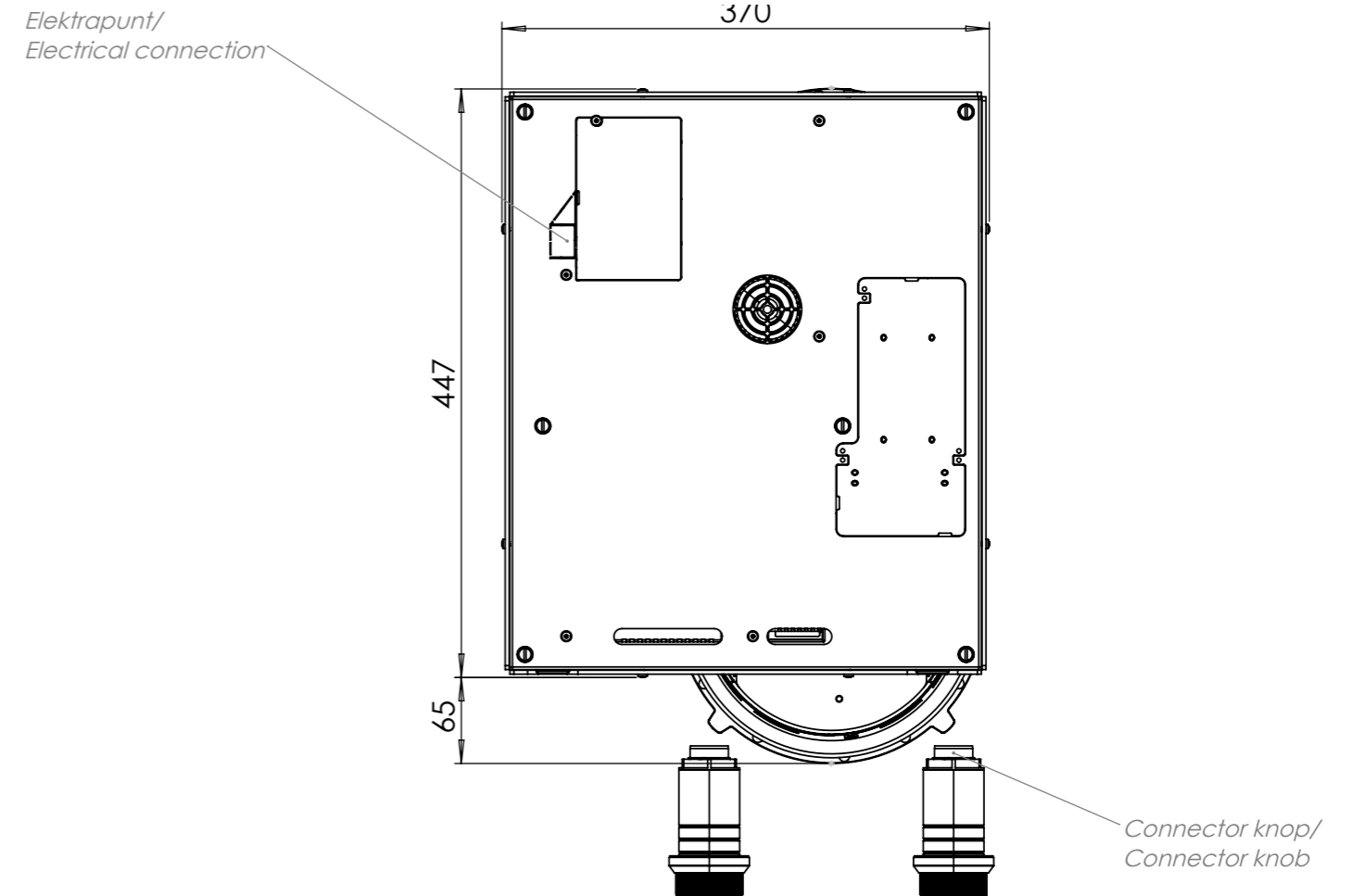


Control knob

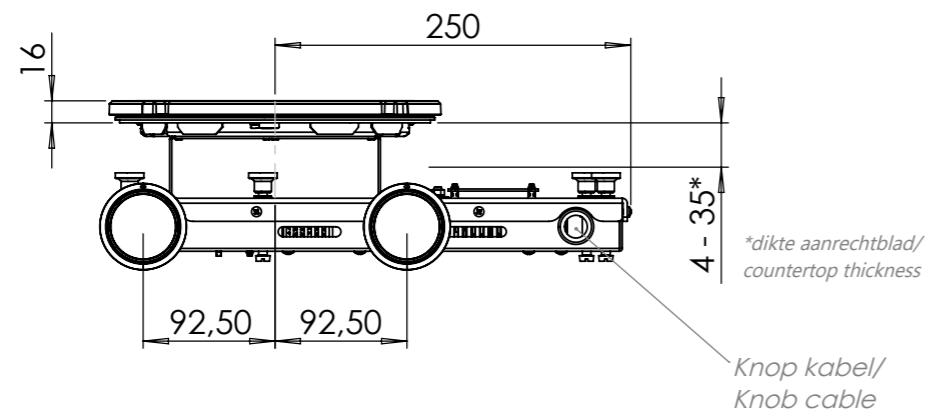




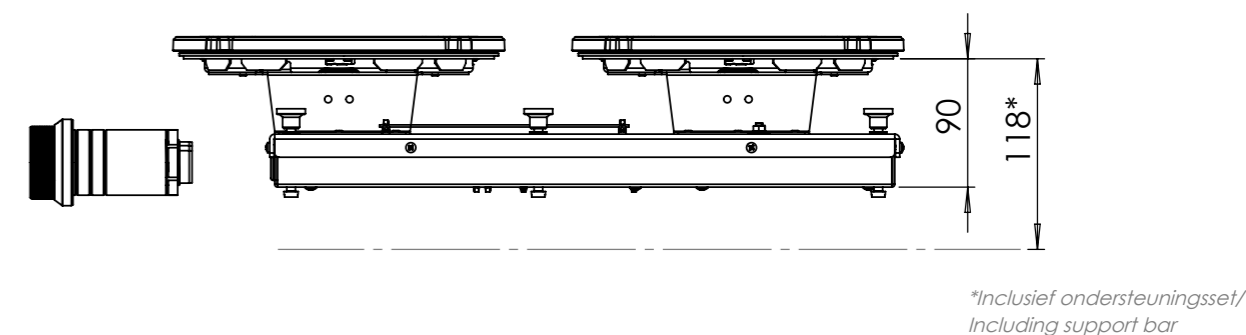
Bovenaanzicht / Top view



Onderaanzicht / Bottom view

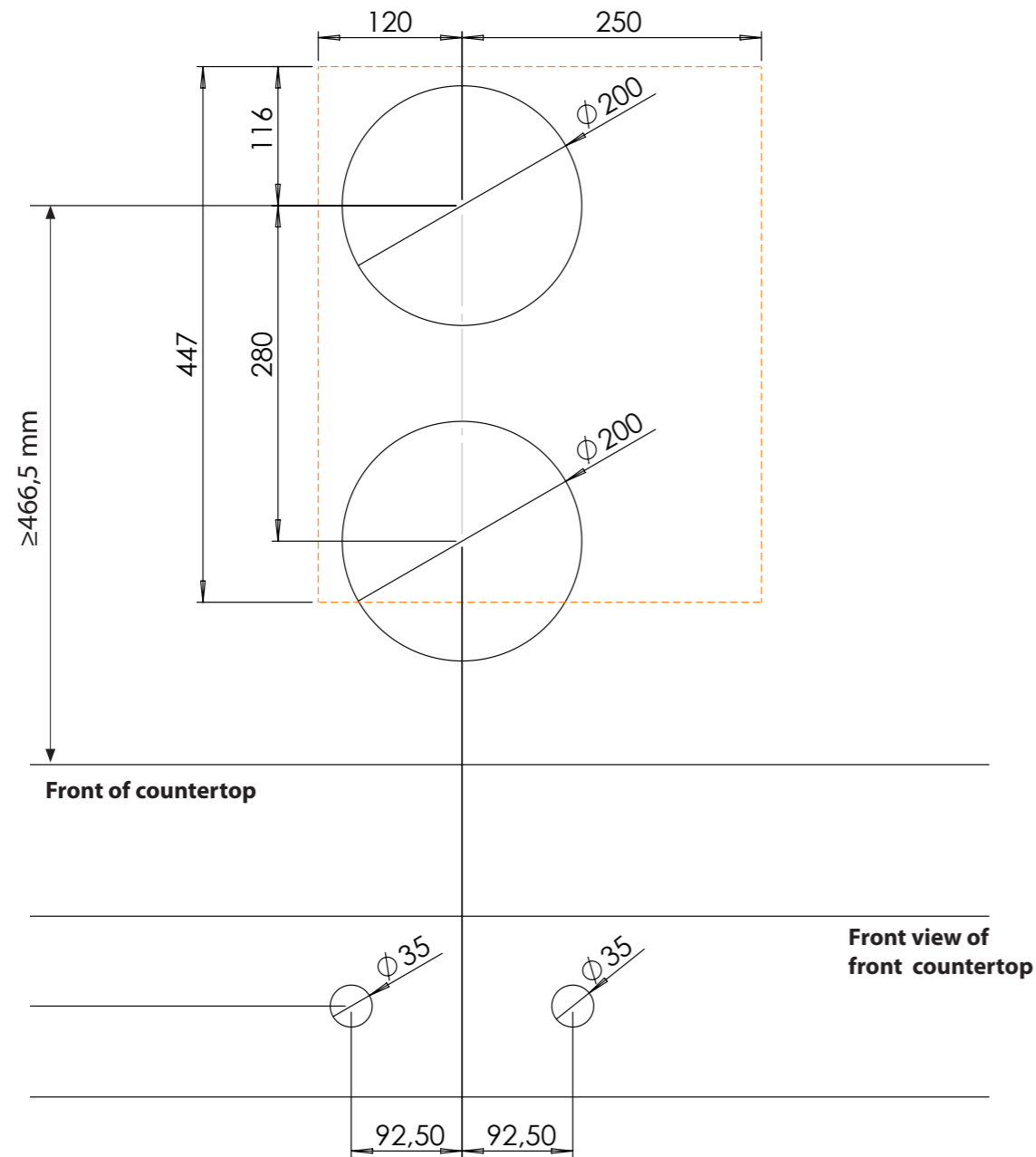


Vooraanzicht / Front view



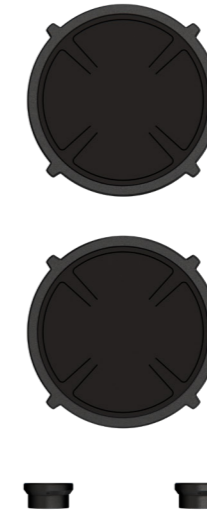
Zijaanzicht / Side view

Hole pattern

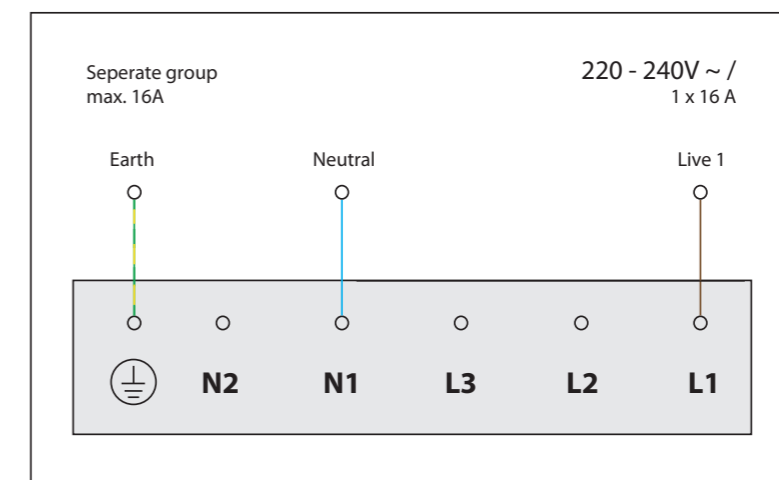


Hole pattern
DXF file

Technical information



Model	Bandai Front Side
Type zones	2x zone small
Editions	Black (fully black)
Automatic pan detection	✓
Power levels	0 - 10 + Boost
Nominal voltage	220-240 V, 1N~
Maximum power	3680 W
Netto weight	9 kg



$\varnothing \geq 2.5\text{mm}^2$





Installation and handling instructions



Installation manual induction



User manual induction