

*Made in Holland*

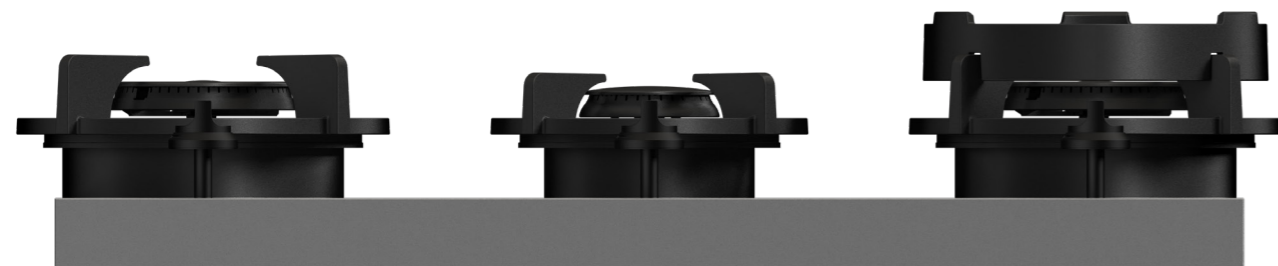
**PITT**  
COOKING



**Gas**  
*Cusin*  
*Top Side*

TS GAS 2025-9.1

## Exploded view



1. **Medium burner**  
ENAMELED CAST IRON

2. **Wok-/simmer burner**  
ENAMELED CAST IRON

3. **Wok ring**  
ENAMELED CAST IRON

4. **Flange**  
STEEL

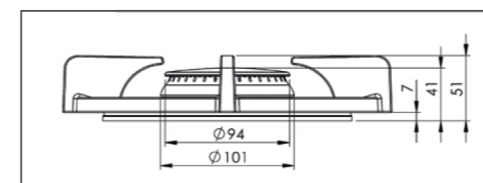
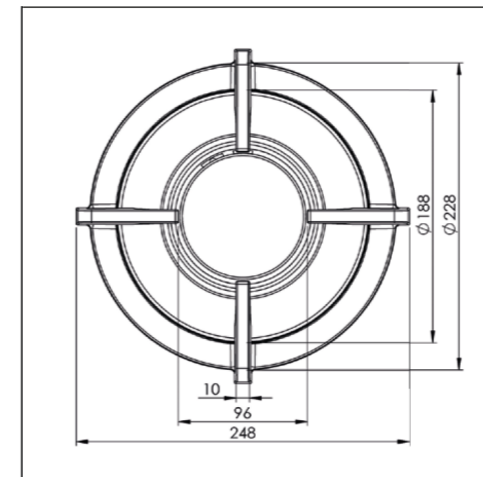
5. **Heat conductor**  
ALUMINIUM

6. **Control knob**  
ANODISED ALUMINIUM

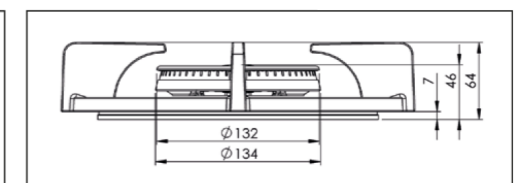
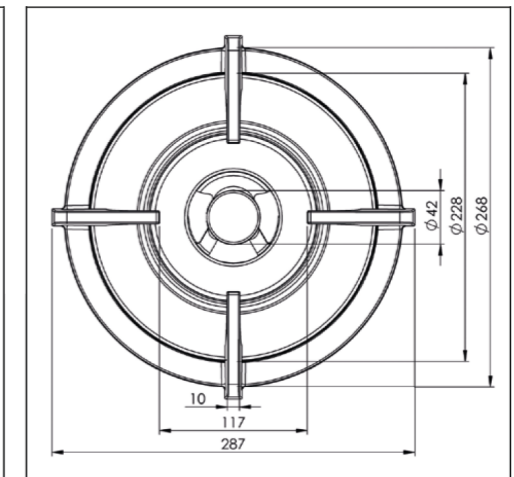
7. **Cassette unit**  
GALVANIZED STEEL

## Burners

Medium burner



Wok-/simmer burner



MEDIUM BURNER

MIN. POWER  
**0,3 kW**

DIAM. BURNER  
**Ø 230 mm**

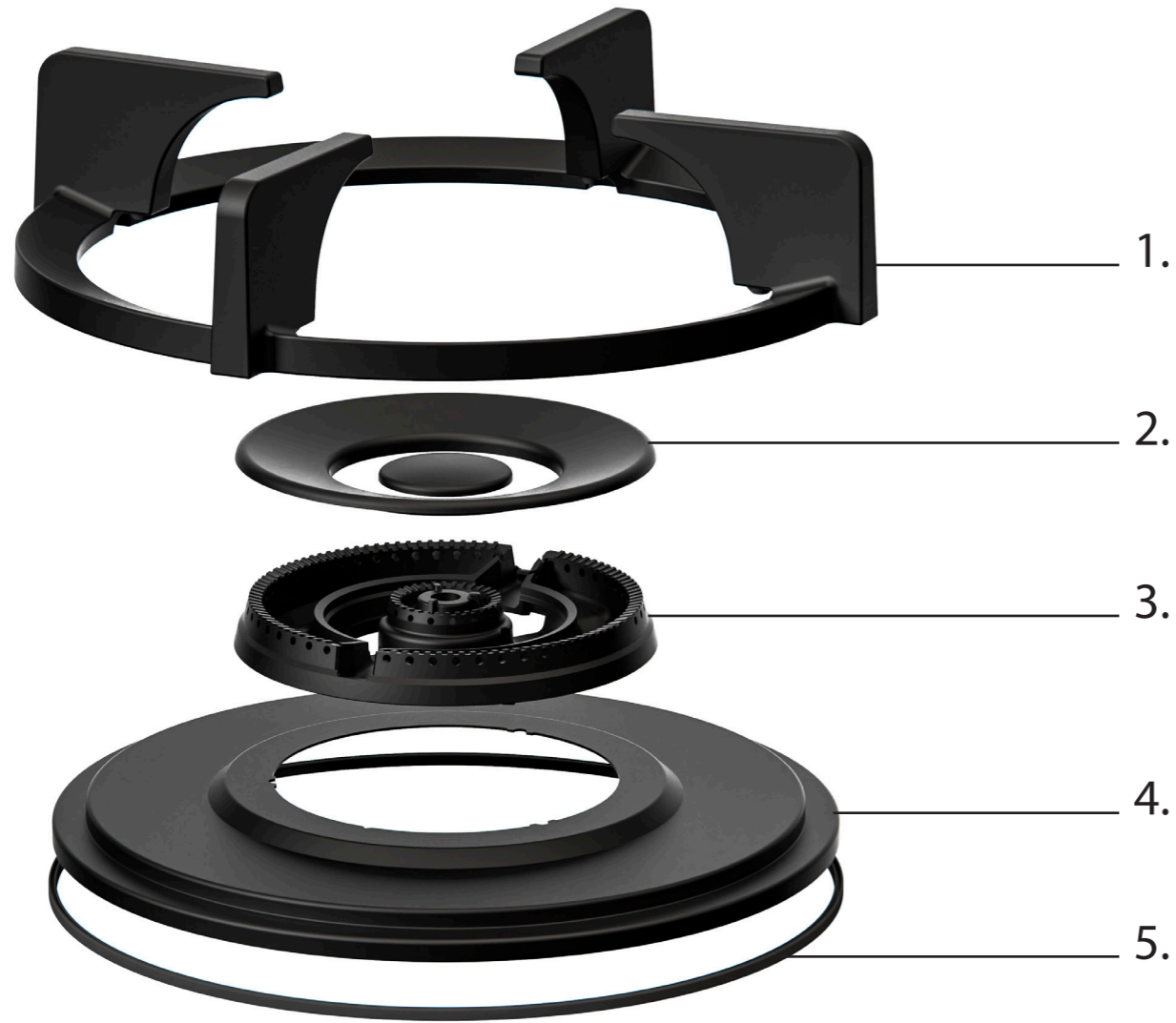
MAX. POWER  
**3 kW**

WOK-/SIMMER BURNER

MIN. POWER  
**0,2 kW**

DIAM. BURNER  
**Ø 270 mm**

MAX. POWER  
**5 kW**



1. **Pan support**  
ENAMELED CAST IRON

2. **Burner caps**  
ENAMELED CAST IRON

3. **Flame spreader**  
(COATED BRASS)

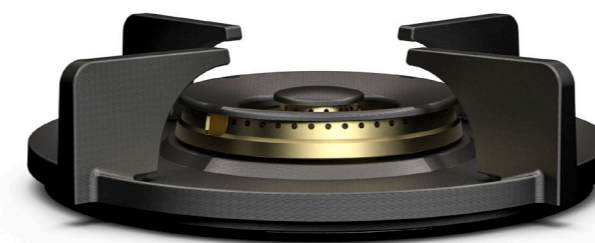
4. **Heat shield**  
ENAMELED STEEL

5. **Silicone ring**  
SILICONE

**Professional edition**  
HEAVY BRASS BURNERS.  
FOR THOSE WHO WANT TO COOK IN STYLE



MEDIUM BURNER



WOK-/SIMMER BURNER

**Black edition**  
HEAVY BRASS BURNERS.  
BLACK BURNERS WITH A BLACK SURFACE.  
STYLISH AND REFINED.



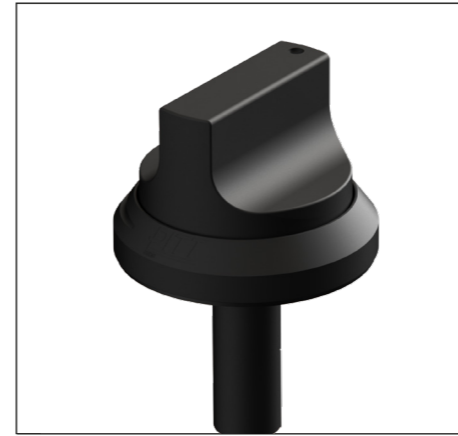
MEDIUM BURNER



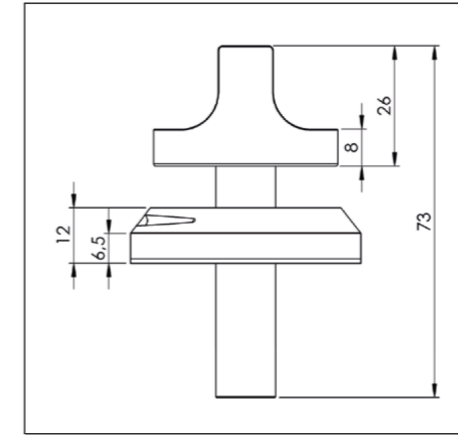
WOK-/SIMMER BURNER

## Control knob Top Side

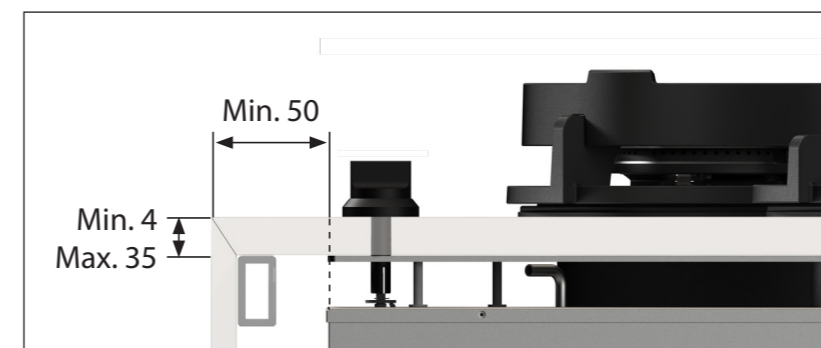
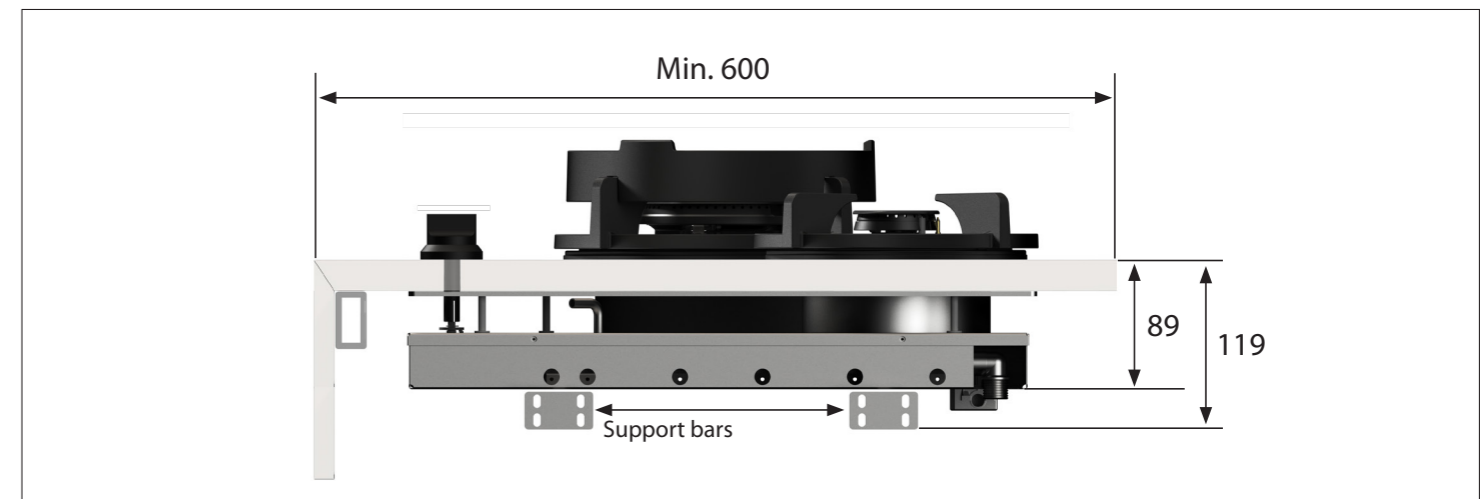
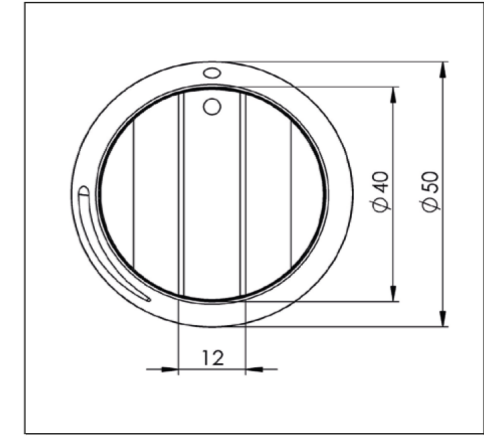
3D-image Top Side knob



Front view Top Side knob



Top view Top Side knob

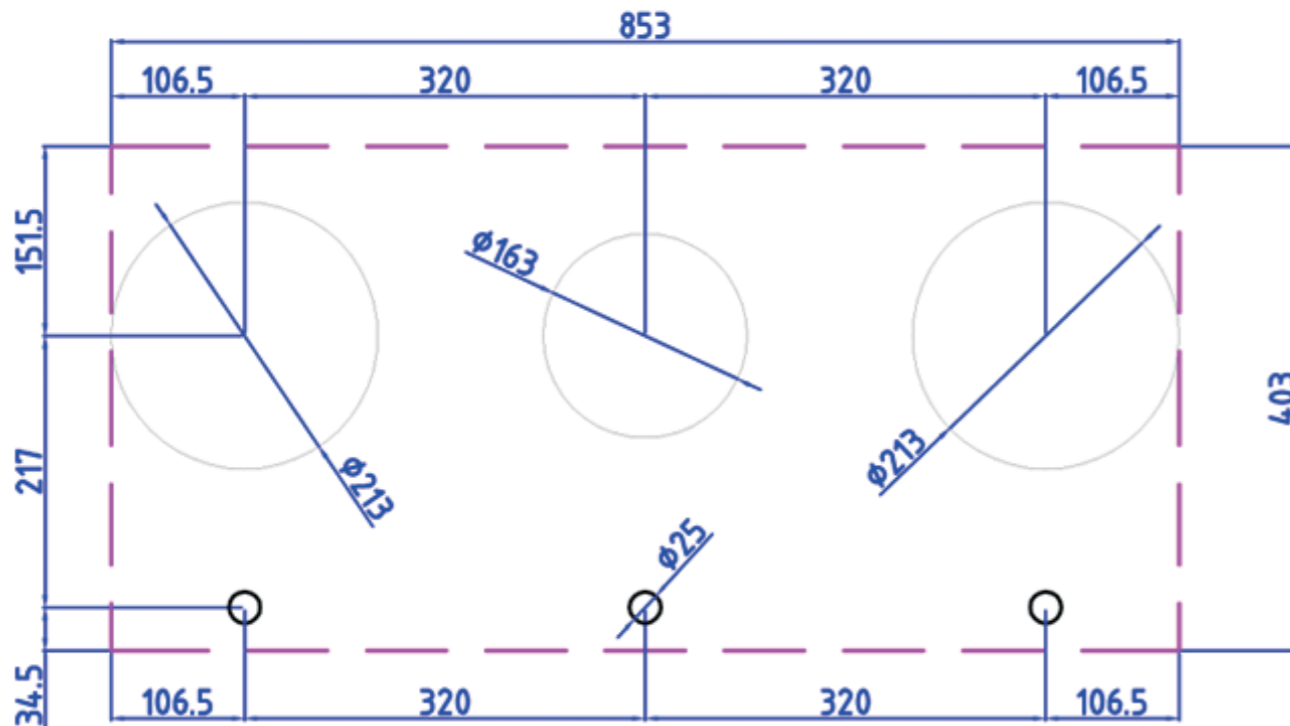


### **Important**

- Minimal countertop depth: 600 mm
- Total height PITT unit incl. support bar set: 119 mm
- Countertop thickness: 4-35 mm
- The C-size is a **minimal** size

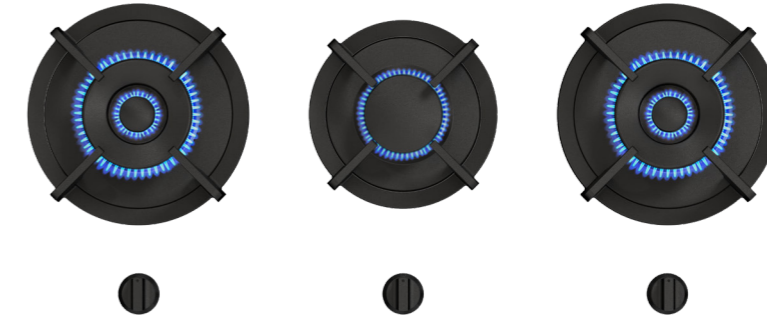


## Hole pattern



Hole pattern gas  
DXF bestand

## Technical specifications



| Model                     | Cusin Top Side   |
|---------------------------|--|
| Type of burners           | 1x burner medium (0,3 - 3 kW)<br>2x wok-/simmer burners (0,2 - 5 kW) |
| Editions                  | Professional (brass)<br>Black (full black)                           |
| The controls              | Top Side   |
| Module dimensions (LxBxH) | 403 x 853 x 89   |
| Automatic spark ignition  | ✓  |
| Flame protection          | ✓  |
| Weight                    | 20,5 kg  |
| Wok ring                  | ✓  |

### Gas & Electricity

|                         |                                      |
|-------------------------|--------------------------------------|
| Type of gas suitable    | Natural gas, LPG (Bottled gas)       |
| Type of gas connection  | ½" external threads                  |
| Position gas connection | Top corner, right                    |
| Voltage                 | 220V-110V (default) / 1,5V (battery) |
| Cord length             | 1500 mm / 591/16"                    |



Installation and handling instructions gas



Installation manual Top Side gas



User manual gas

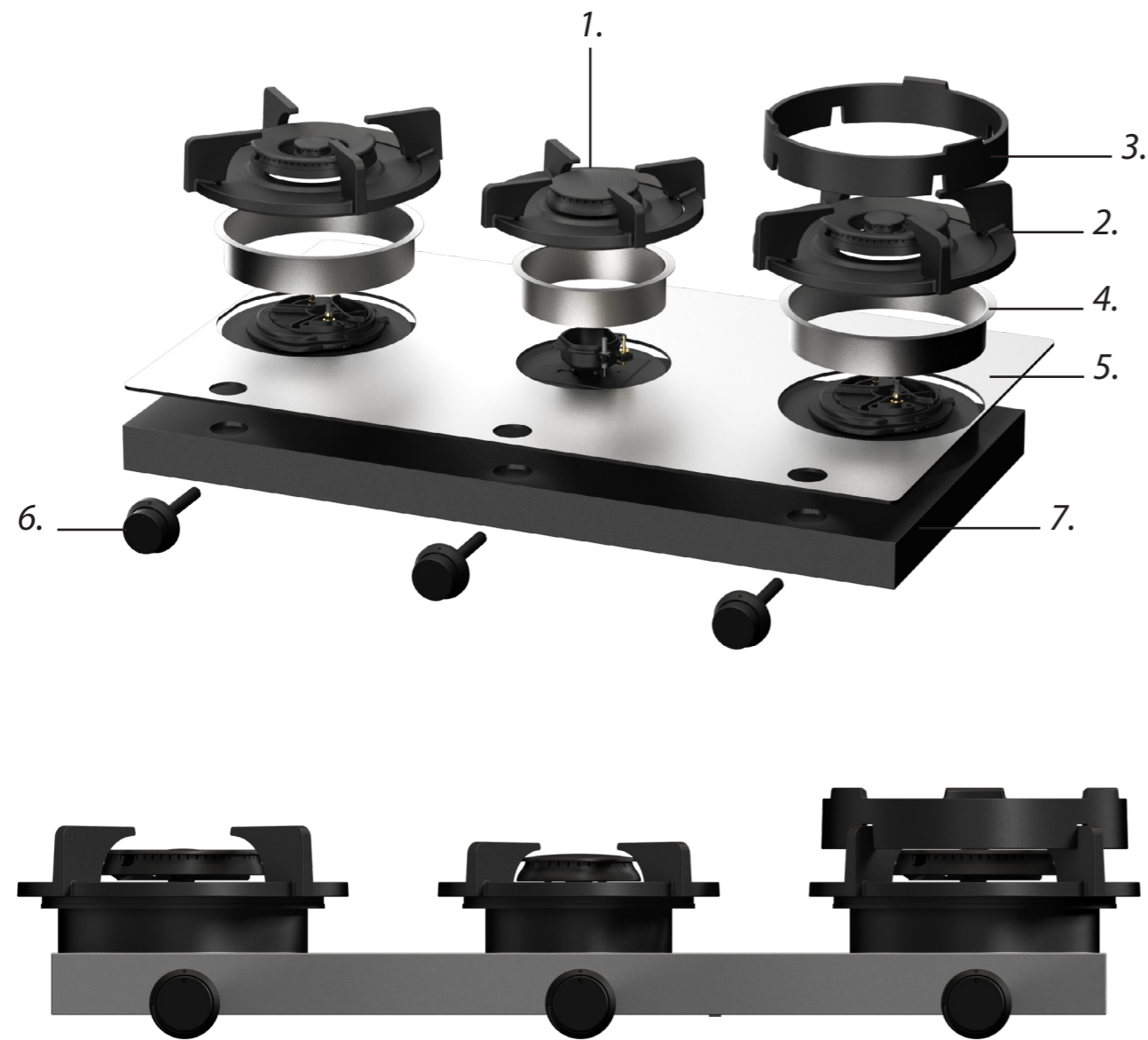
*Made in Holland*

**PITT**  
COOKING



**Gas**  
*Cusin*  
*Front Side*

## Exploded view



1. **Medium burner**  
ENAMELED CAST IRON

2. **Wok-/simmer burner**  
ENAMELED CAST IRON

3. **Wok ring**  
ENAMELED CAST IRON

4. **Flange**  
STEEL

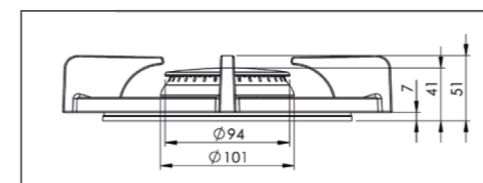
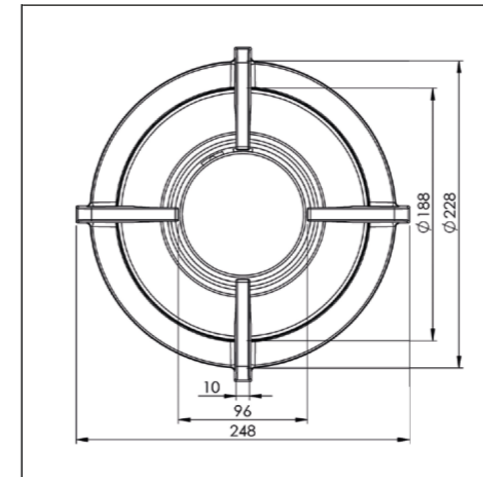
5. **Heat conductor**  
ALUMINIUM

6. **Control knob**  
ANODISED ALUMINIUM

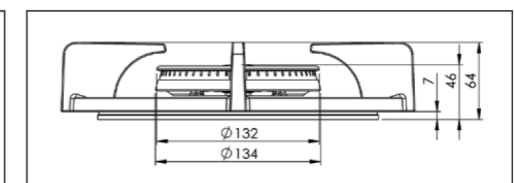
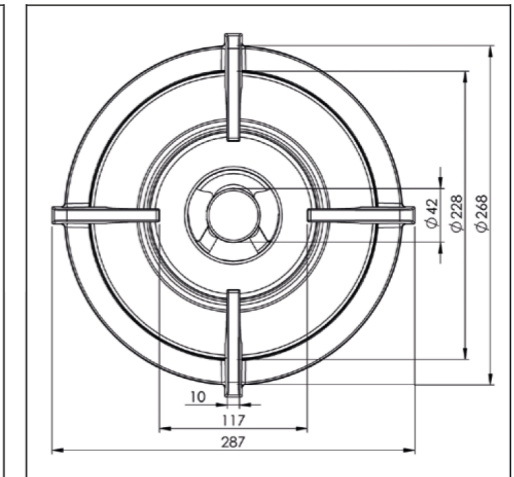
7. **Cassette unit**  
GALVANIZED STEEL

## Burners

Medium burner



Wok-/simmer burner



MEDIUM BURNER

MIN. POWER  
**0,3 kW**

DIAM. BURNER  
**Ø 230 mm**

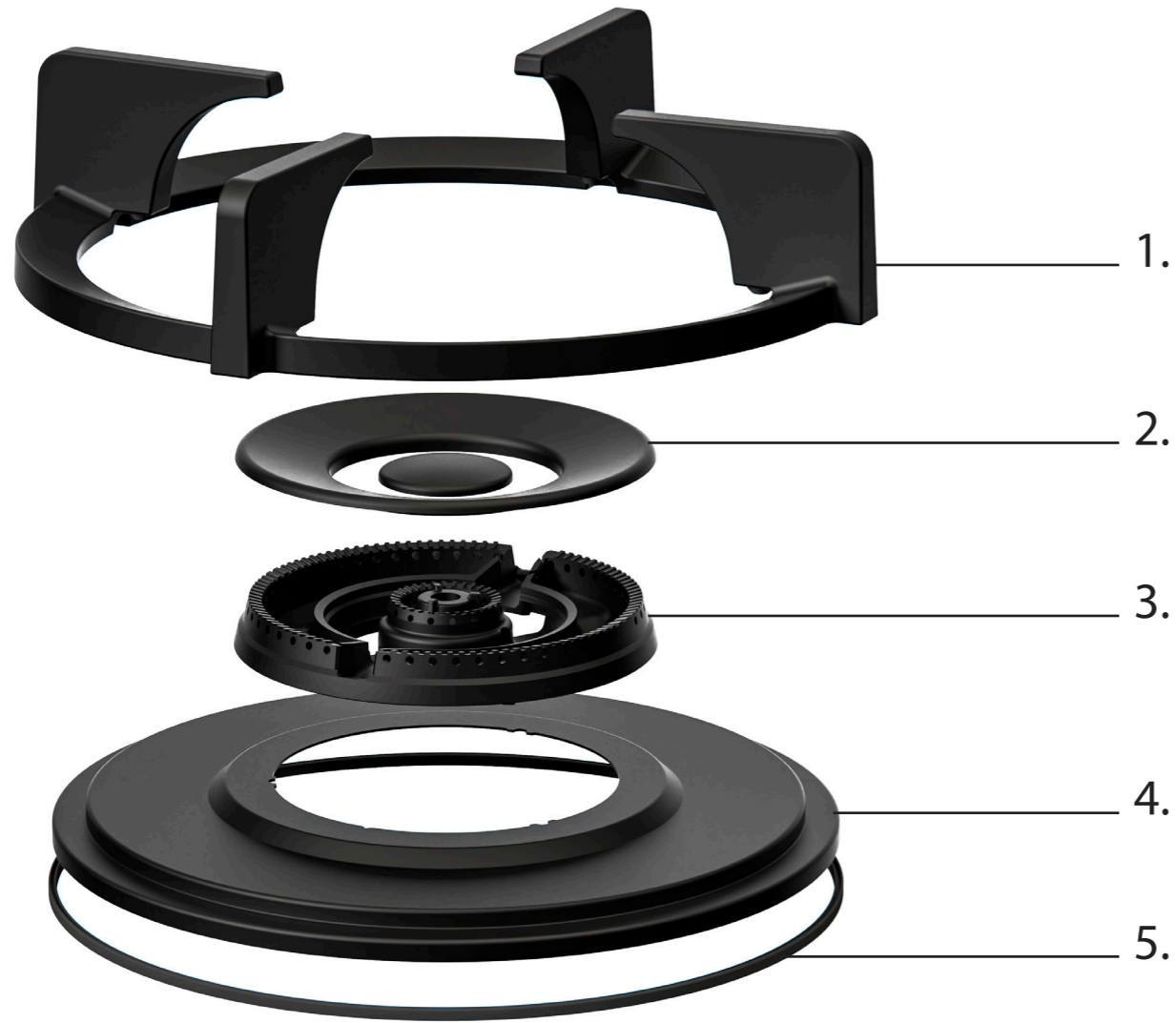
MAX. POWER  
**3 kW**

WOK-/SIMMER BURNER

MIN. POWER  
**0,2 kW**

DIAM. BURNER  
**Ø 270 mm**

MAX. POWER  
**5 kW**



1. **Pan support**  
ENAMELED CAST IRON

2. **Burner caps**  
ENAMELED CAST IRON

3. **Flame spreader**  
(COATED BRASS)

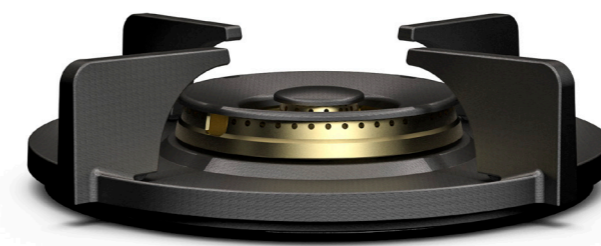
4. **Heat shield**  
ENAMELED STEEL

5. **Silicone ring**  
SILICONE

**Professional edition**  
HEAVY BRASS BURNERS.  
FOR THOSE WHO WANT TO COOK IN STYLE



MEDIUM BURNER



WOK-/SIMMER BURNER

**Black edition**  
HEAVY BRASS BURNERS.  
BLACK BURNERS WITH A BLACK SURFACE.  
STYLISH AND REFINED.



MEDIUM BURNER



WOK-/SIMMER BURNER

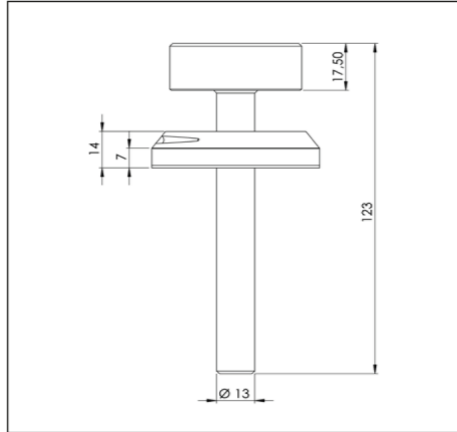
## Control knob Front Side

## Template dimensions

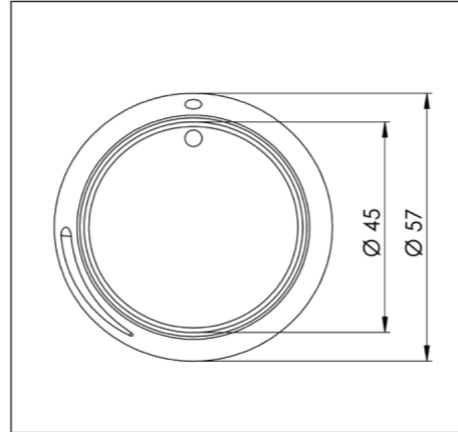
3D-image Front Side knob



Front view Front Side knob



Top view Front Side knob



1. Determine the height of the countertop's front edge.  
(Minimum height: 100 mm)
2. Determine the distance between the center of control knob and the top of the countertop.  
(Minimum height: 50 mm / Maximum height: 100 mm)
3. Determine the thickness of the countertop  
(Minimum thickness: 4 mm / Maximum thickness: 25 mm)

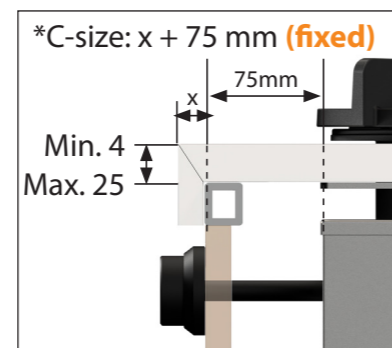
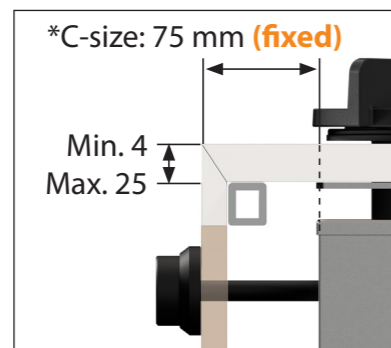
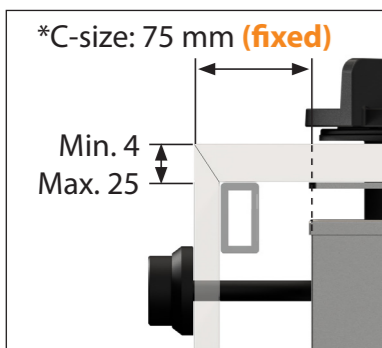
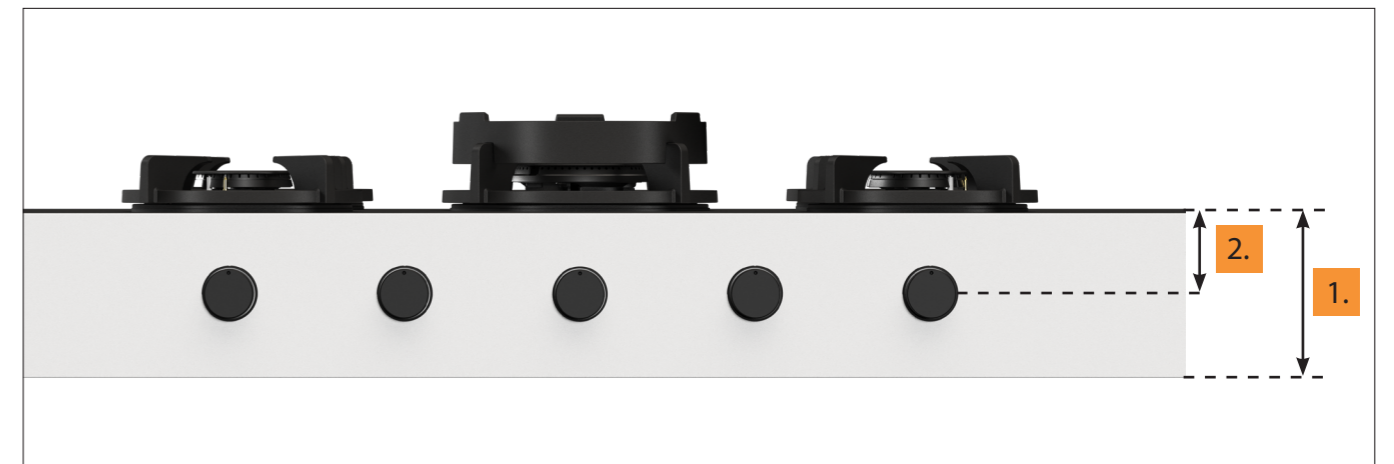
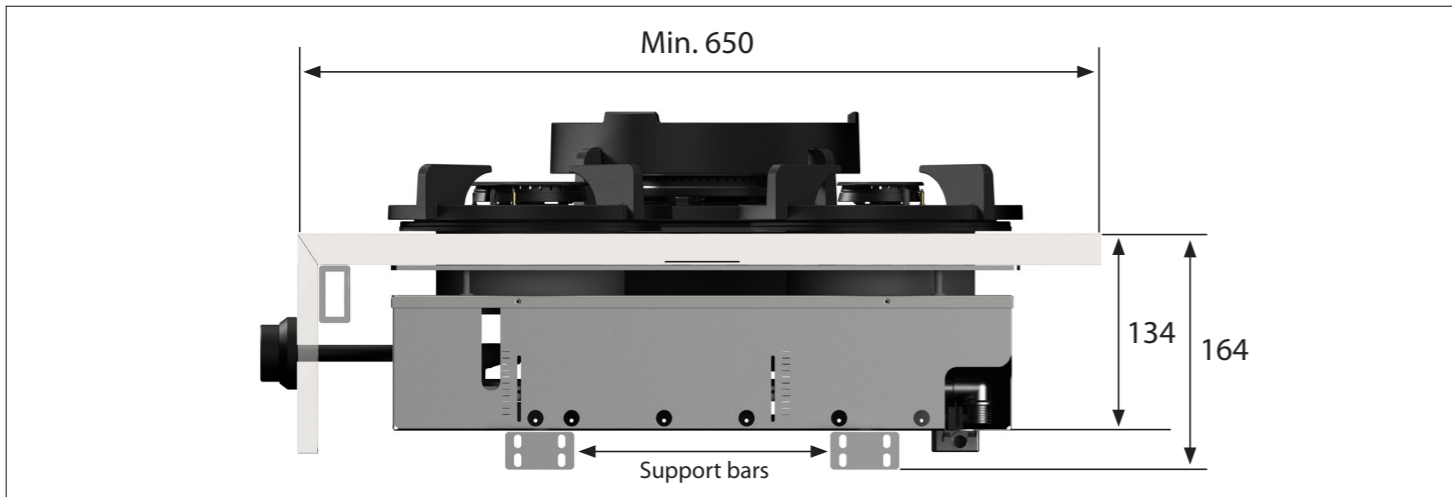
1. mm

2. mm

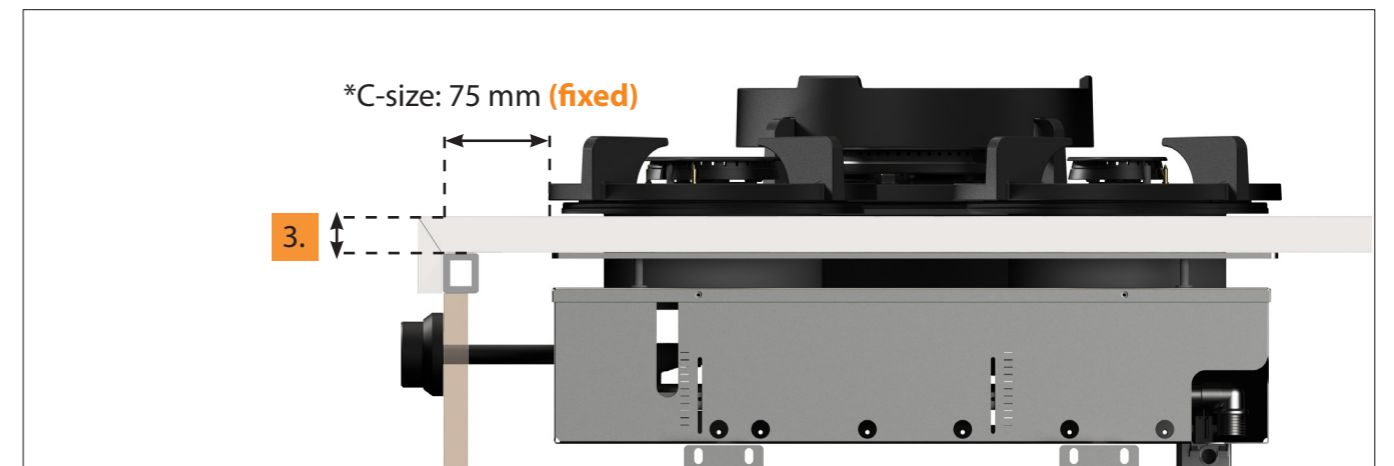
3. mm

**\*WARNING: C-size (75 mm) is a fixed size.**

\*C-Size: 75 mm



**Warning! \*C-Size is a fixed size**



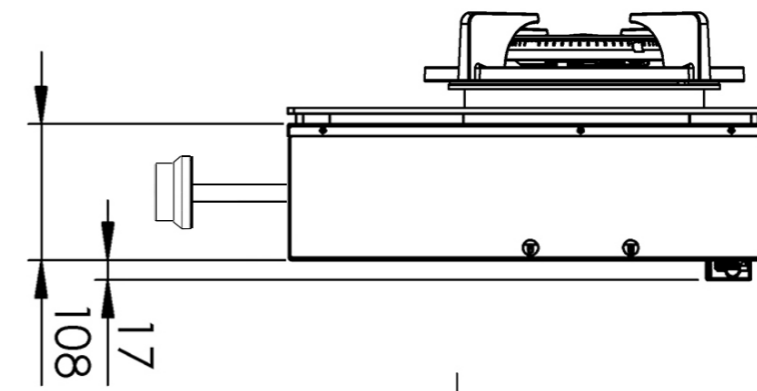
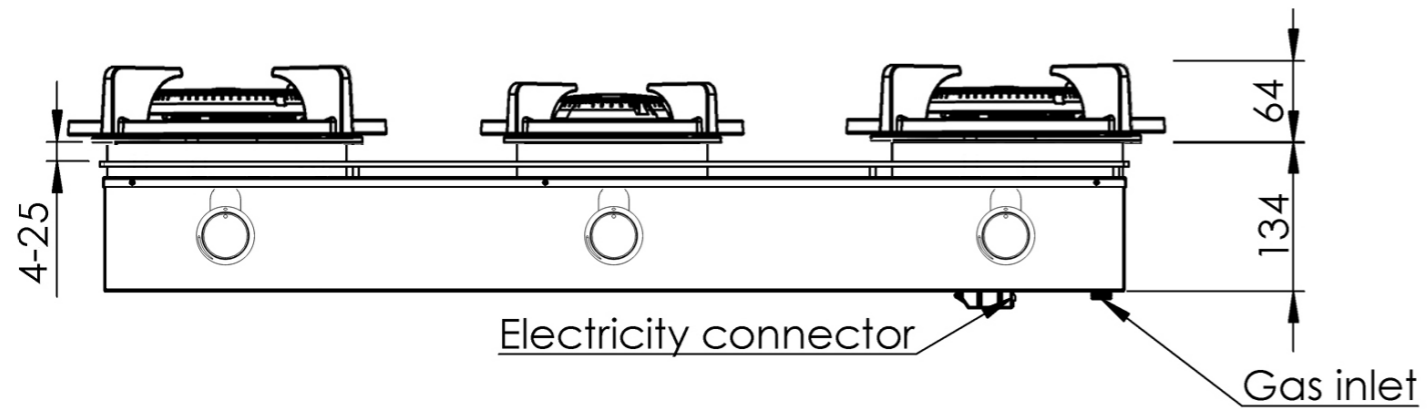
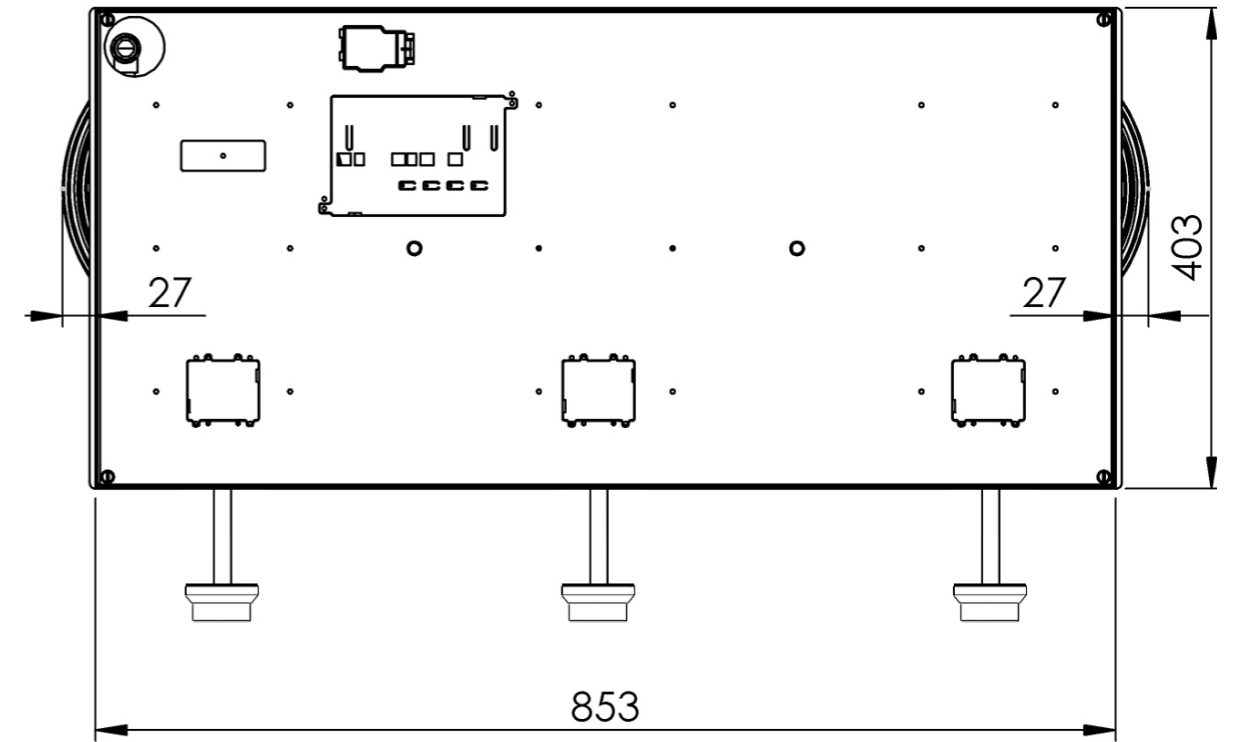
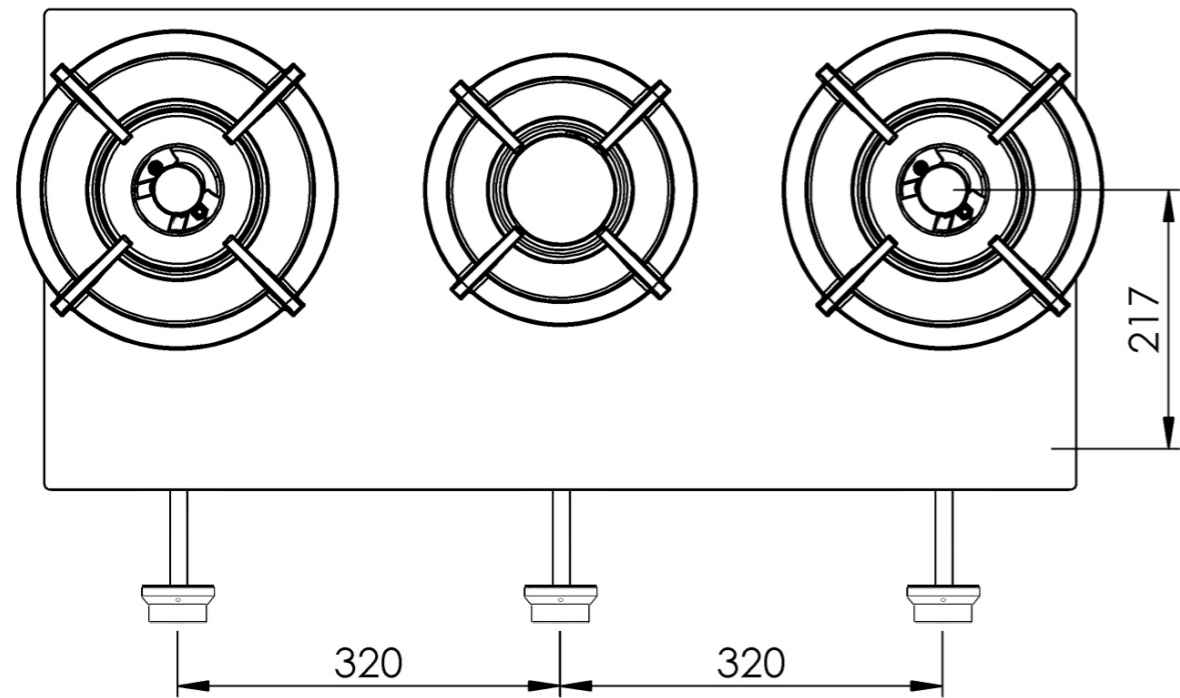
### Important

- Minimal countertop depth: 650 mm
- Total height PITT unit incl. support bar set: 164mm
- Countertop thickness: 4-25 mm
- \*C-size is a **fixed** size

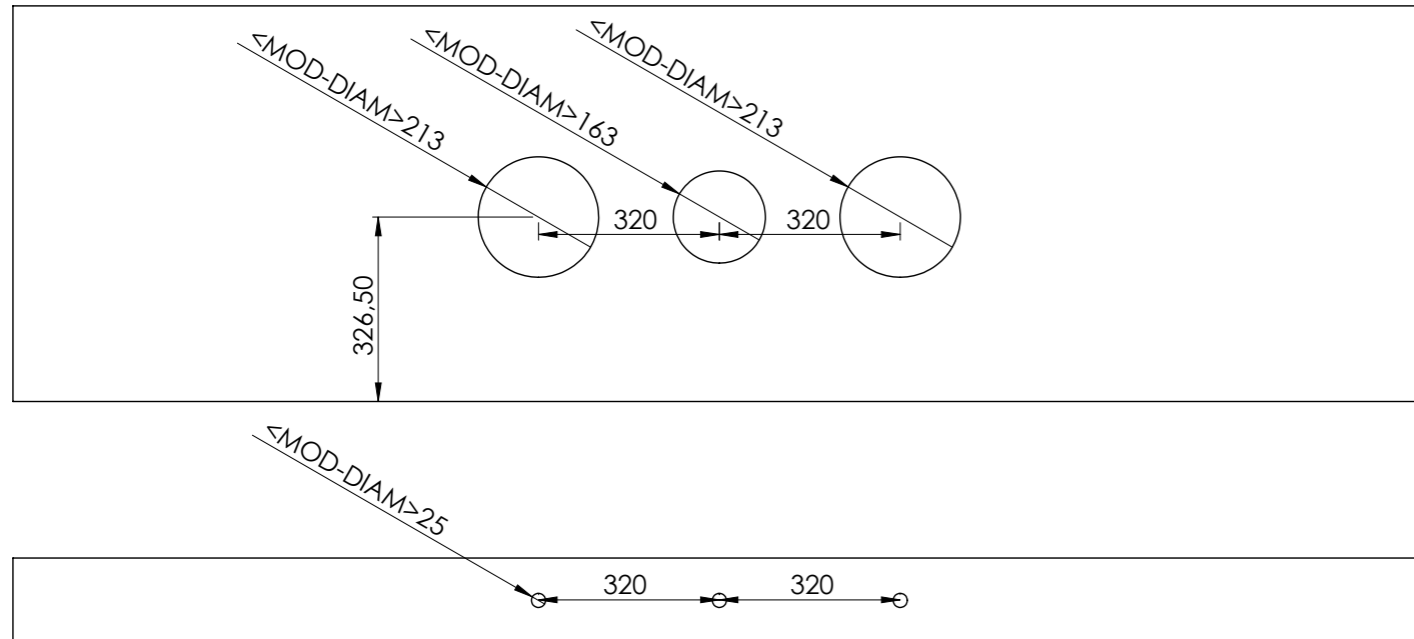


Template dimensions -  
Front Side control knob gas

This file must be completed and included with the purchase order. Scan the QR code for the file or visit the download page on our website.

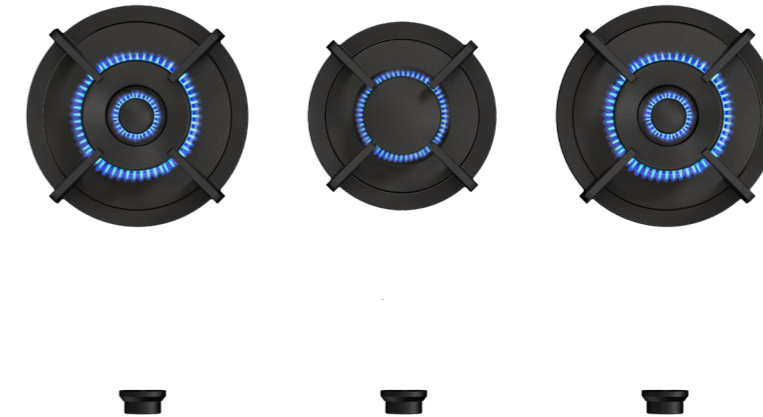


## Hole pattern



Hole pattern gas  
DXF bestand

## Technical specifications



| Model                        | Cusin Front Side   |
|------------------------------|--|
| Type of burners              | 1x burner medium (0,3 - 3 kW)<br>2x wok-/simmer burners (0,2 - 5 kW) |
| Editions                     | Professional (brass)<br>Black (full black)                           |
| The controls                 | Front Side   |
| Module dimensions (LxBxH)    | 403 x 853 x 89   |
| Automatic spark ignition     | ✓  |
| Flame protection             | ✓  |
| Weight                       | 20,5 kg  |
| Wok ring                     | ✓  |
| <b>Gas &amp; Electricity</b> |  |
| Type of gas suitable         | Natural gas, LPG (Bottled gas)                                       |
| Type of gas connection       | ½" external threads  |
| Position gas connection      | Top corner, right  |
| Voltage                      | 220V-110V (default) / 1,5V (battery)                                 |
| Cord length                  | 1500 mm / 591/16"  |



Installation and handling instructions gas



Installation manual Front Side gas



User manual gas